

REVISIONS				A
ECN	SYM	DESCRIPTION	DATE	APPROVAL
15492	A	RELEASED TO PRODUCTION	12/7/04 KON	

CAD FILE NO.: hdt0001-ol-pg1

ALL DIMS. AND TOLS.
PER ANSI Y14.5

THIS DOCUMENT AND THE INFORMATION
IN IT IS THE EXCLUSIVE PROPERTY OF
C&K COMPONENTS, INC. AND IS NOT
TO BE USED OR DISCLOSED WITHOUT THE
EXPRESS WRITTEN PERMISSION OF
C&K COMPONENTS, INC.

CRITICAL - MUST COMPLY WITH C&K
QUALIFICATION STD. CKQI0019

MAJOR DIMENSION

UNLESS OTHERWISE SPECIFIED
DIMENSIONS ARE IN INCHES

TOLERANCES

DECIMAL	ANGULAR
.XX±	±
.XXX±	.012 (0,3)

SCALE 10:1 DATE 11/9/04

DRAWN K.ONEIL APPR.

C&K P/N: HDT0001

HDT0001
DETECT SWITCH
HDT SERIES

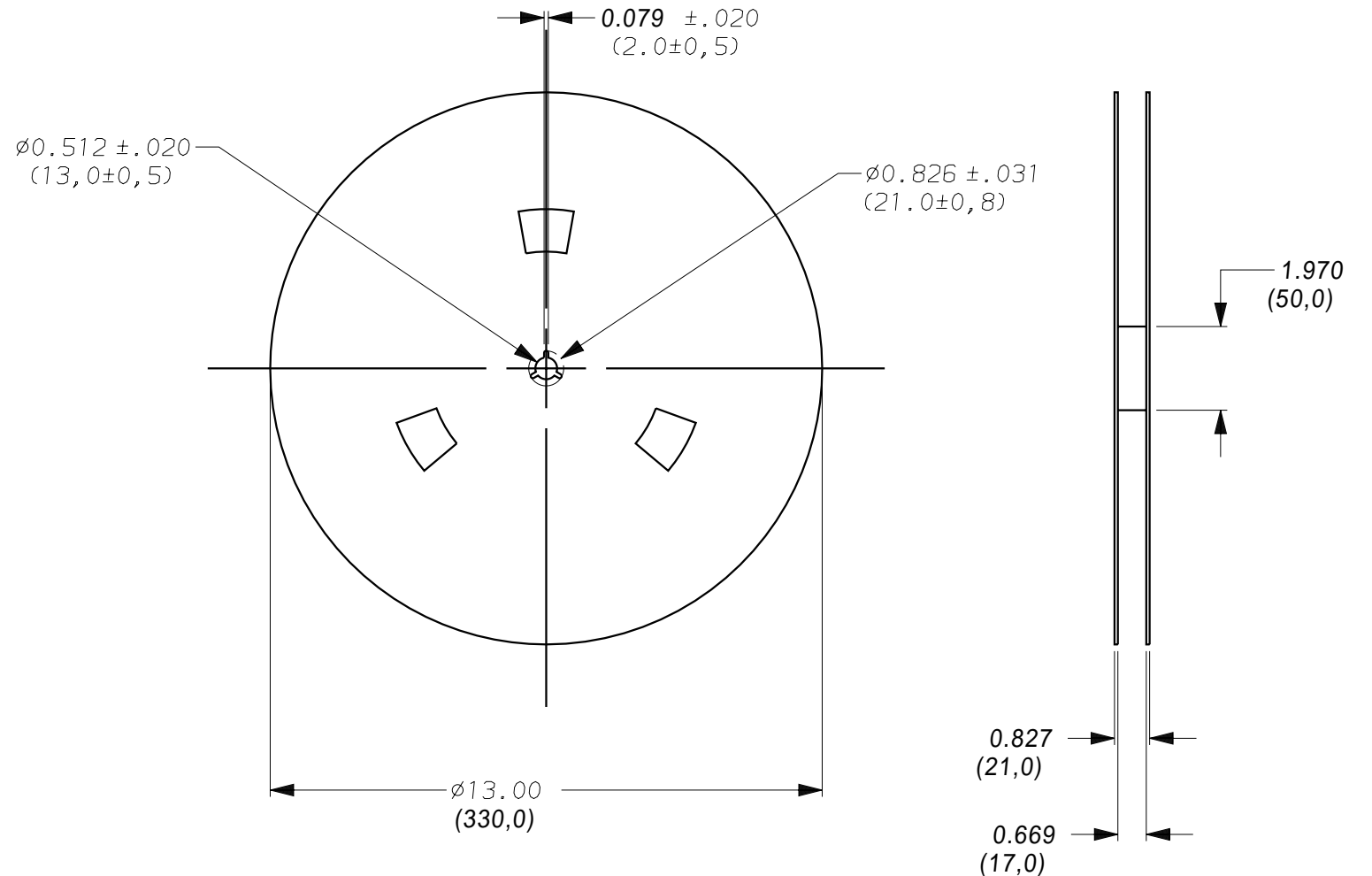
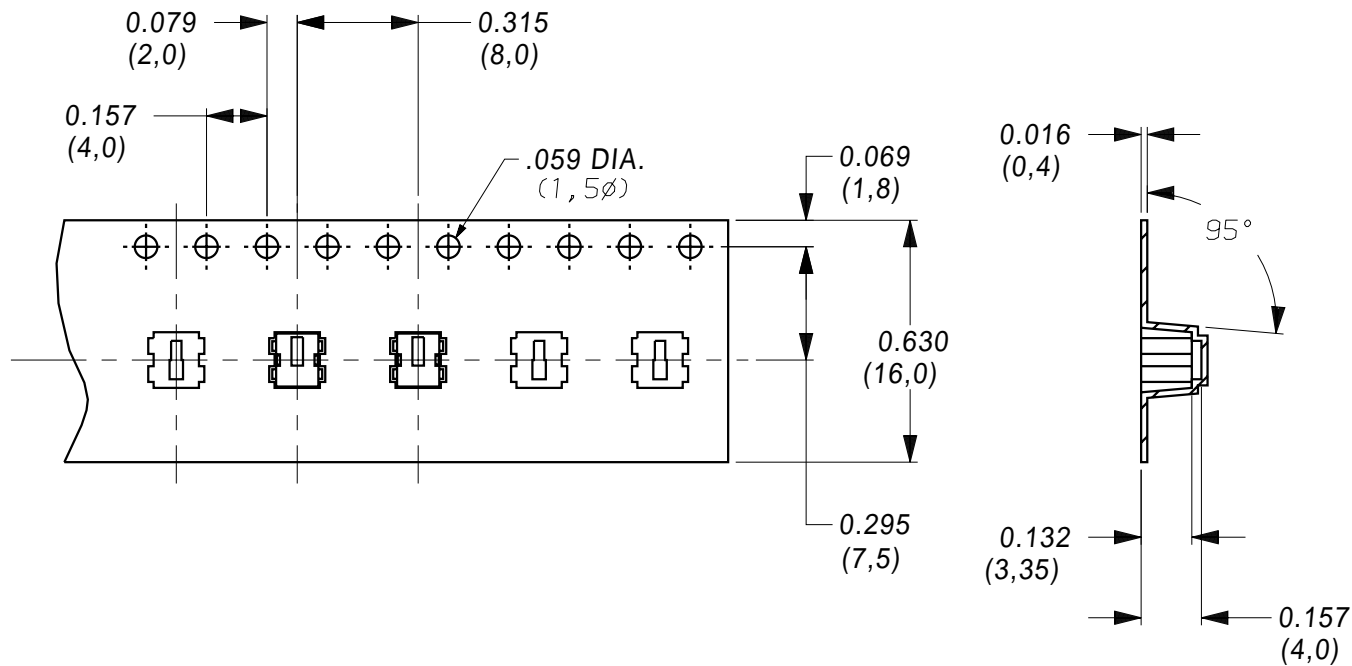
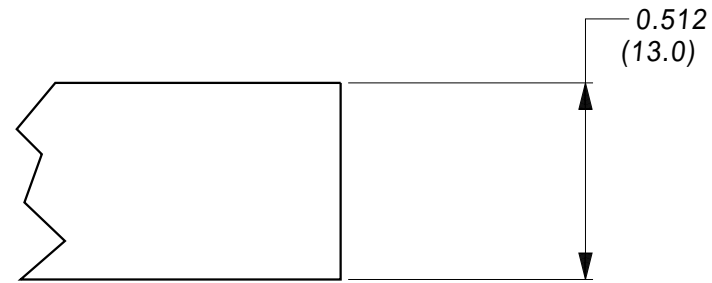
C&K[®]
COMPONENTS, INC.

REV. A

SHT.NO. 1 OF 2

REVISIONS				A	
ECN	SYM	DESCRIPTION	DATE	APPROVAL	
		SEE PAGE 1			

COVER TAPE



SCALE: 1:4

REEL

NOTES:

1. PACKAGE QUANTITY: 2,450 PCS/REEL.
2. SPECIFICATION OF TAPING PACKAGE: THE REEL CARRIER TAPE WILL HAVE A LEAD OF 33 EMPTY COMPONENT POCKETS AND AN END OF 14 EMPTY COMPONENT POCKETS ON EVERY REEL. ALL EMPTY COMPONENT POCKETS WILL BE SEALED WITH COVER TAPE.
3. AFTER THE LEAD, NO REEL CARRIER TAPE SHALL HAVE TWO CONSECUTIVE EMPTY COMPONENT POCKETS.

CAD FILE NO.: hdt0001-ol-pg2

ALL DIMS. AND TOLS. PER ANSI Y14.5	UNLESS OTHERWISE SPECIFIED DIMENSIONS ARE IN INCHES
THIS DOCUMENT AND THE INFORMATION IN IT IS THE EXCLUSIVE PROPERTY OF C&K COMPONENTS, INC. AND IS NOT TO BE USED OR DISCLOSED WITHOUT THE EXPRESS WRITTEN PERMISSION OF C&K COMPONENTS, INC.	TOLERANCES
	DECIMAL ANGULAR .XX± ± .XXX± .012(0,30)
<input checked="" type="checkbox"/> CRITICAL - MUST COMPLY WITH C&K QUALIFICATION STD. CKQI0019	SCALE 2:1 DATE 3/27/03
<input type="checkbox"/> MAJOR DIMENSION	DRAWN K.ONEIL APPR.

C&K P/N: HDT0001

DETECT SWITCH

HDT SERIES



REV. A

REV. A