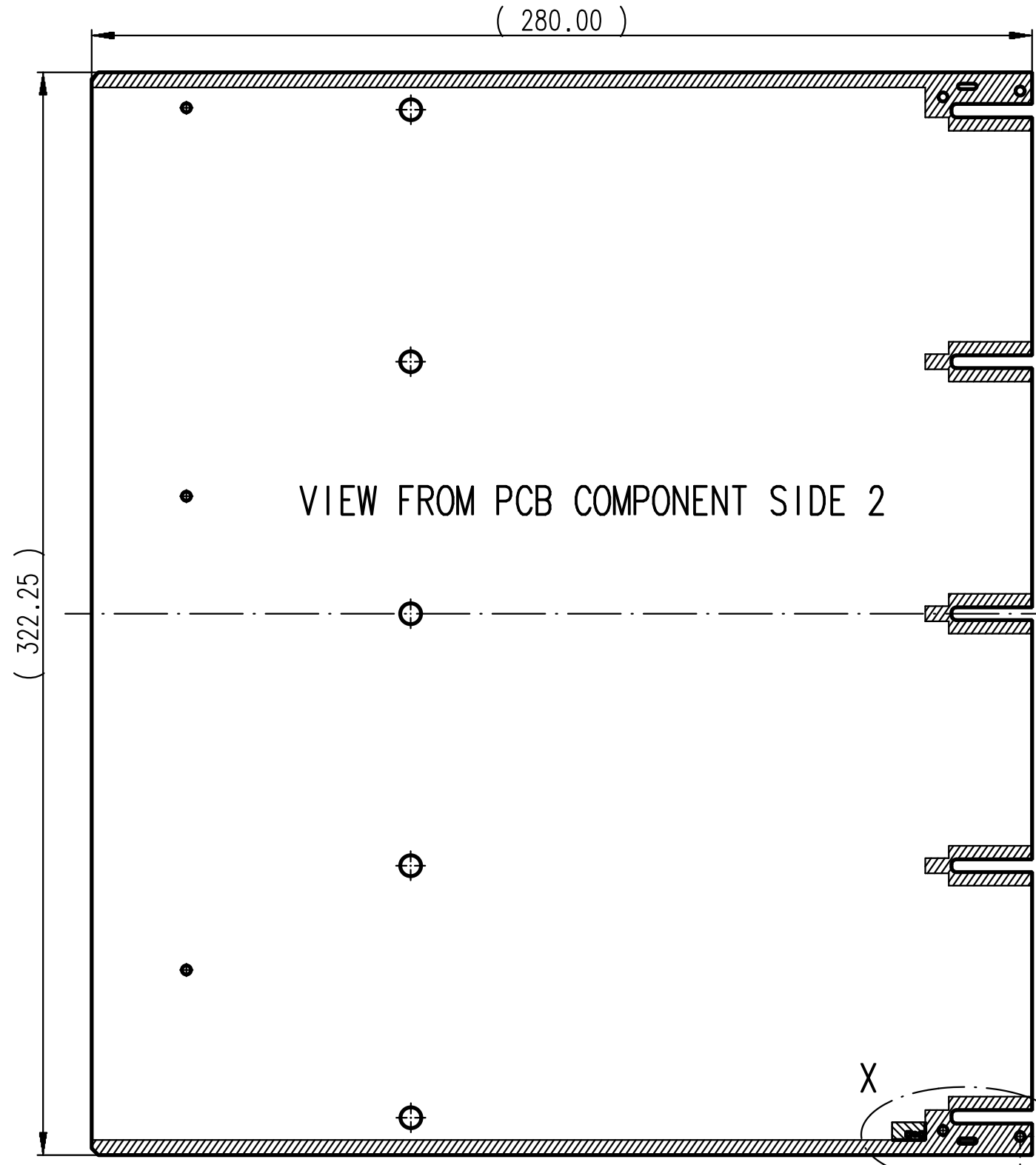
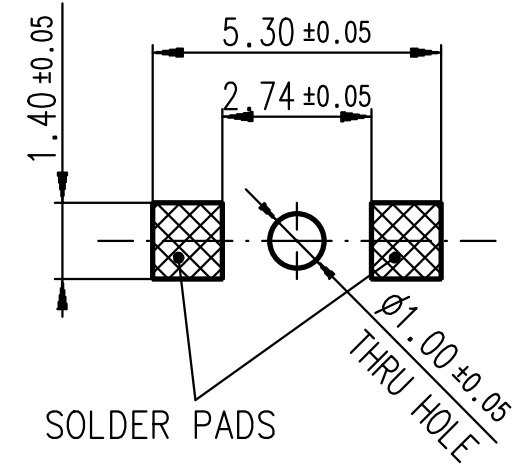


Für diese Zeichnung behalten wir uns alle Rechte vor

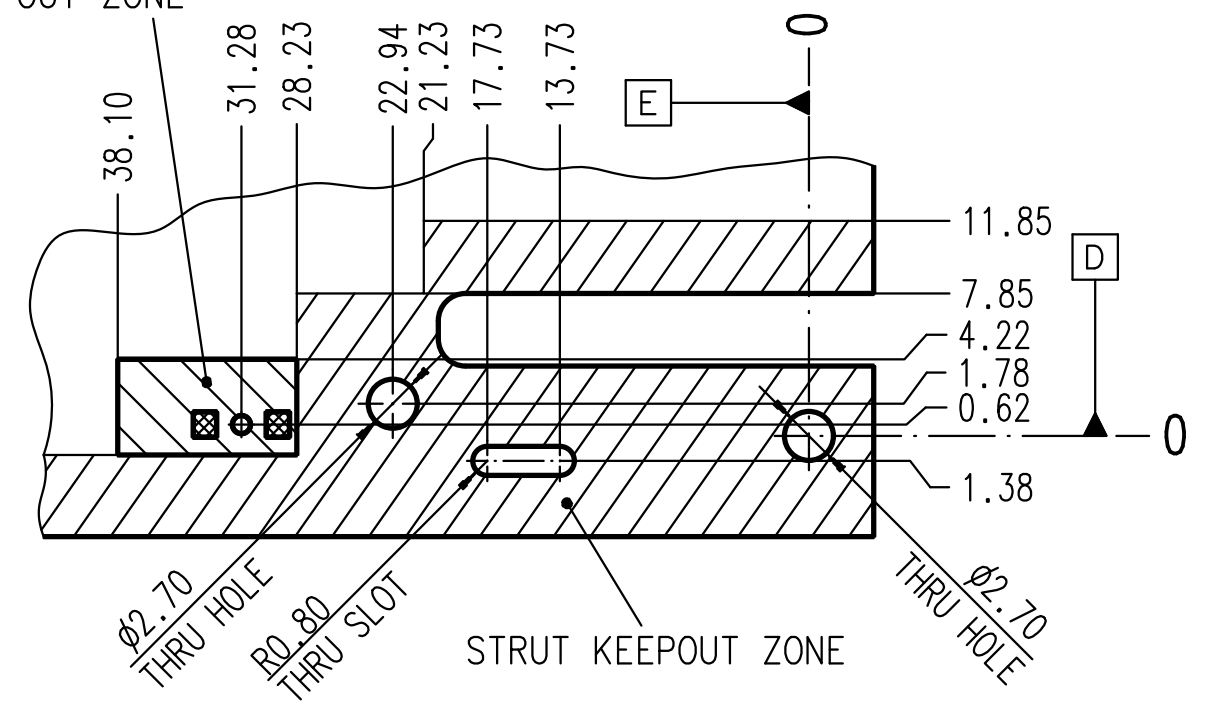


VIEW FROM PCB COMPONENT SIDE 2



MICROSWITCH PCB MOUNTING LAYOUT DETAILS  
12:1

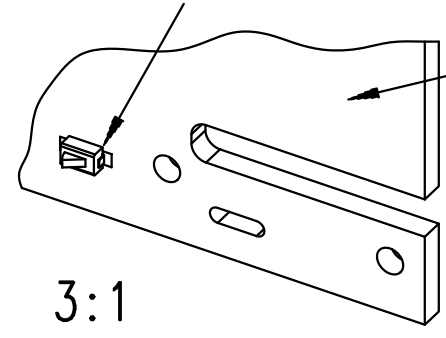
MICROSWITCH & SLIDER  
KEEPOUT ZONE



DETAIL X  
4:1

MOUNTING DETAILS SPECIFIC TO SMK TYPE JPS1110-... MICROSWITCHES

SMK TYPE JPS1110...  
MICROSWITCH



CONVENTIONAL AMC  
CARRIER PCB

- NOTES:
- DATUMS PER PICMG AMC.0 SPECIFICATION R2.0 RC1.2
  - CONVENTIONAL CARRIER PCB SHOWN
  - CONNECTOR ZONES AND ESD STRIPS NOT SHOWN
  - OPTIONAL UPPER MICROSWITCH MOUNTING DETAIL SYMMETRICAL ABOUT HORIZONTAL CENTERLINE OF PCB

|   |  |  |  |                                     |  |                   |  |                                     |  |
|---|--|--|--|-------------------------------------|--|-------------------|--|-------------------------------------|--|
| Projectname:/Use:/Utilisation:          |  |  |  | Oberfl./Surface:/T.de Surface:      |  |                   |  | Freimaß-Tol. ISO 2768 m             |  |
| AMC                                     |  |  |  |                                     |  |                   |  | Nennmaßbereich<br>Corresp. Tol.     |  |
| Maßstab/<br>Scale/<br>Echelle           |  |  |  | Werkstoff/<br>Material:<br>Matiere: |  |                   |  | Dim. nominale                       |  |
| 0.6:1                                   |  |  |  |                                     |  |                   |  | Abmaße<br>Dim. limits<br>Tolerances |  |
| Ind. Andr./Revision<br>SYM Modification |  |  |  | Datum<br>Date                       |  | Name<br>Nom       |  | 0.5 < X ≤ 3 mm ±0.1 mm              |  |
| Freig./Rel./Relach.                     |  |  |  | 02.08.07                            |  | rutherf           |  | 3 < X ≤ 6 mm ±0.1 mm                |  |
| Norm/Revision                           |  |  |  |                                     |  |                   |  | 6 < X ≤ 30 mm ±0.2 mm               |  |
| Gepr./Approv/Ver.                       |  |  |  |                                     |  |                   |  | 30 < X ≤ 120 mm ±0.3 mm             |  |
| Gez./Drawn/Des.                         |  |  |  | 02.08.07                            |  | seyfrir           |  | 120 < X ≤ 400 mm ±0.5 mm            |  |
| Ersatz für:<br>replace/remplace:        |  |  |  | Part<br>NO: 70849-035000001         |  | PDM<br>NO: 458828 |  | 400 < X ≤ 1000 mm ±0.8 mm           |  |
|   |  |  |  |                                     |  |                   |  | 1000 < X ≤ 2000 mm ±1.2 mm          |  |
|   |  |  |  |                                     |  |                   |  |                                     |  |
|   |  |  |  |                                     |  |                   |  |                                     |  |

Adresse/Address:  
 Fa. Schroff GmbH  
 75334 Straubenhardt  
 NO SOE SUS SUK  
 SFR SJA