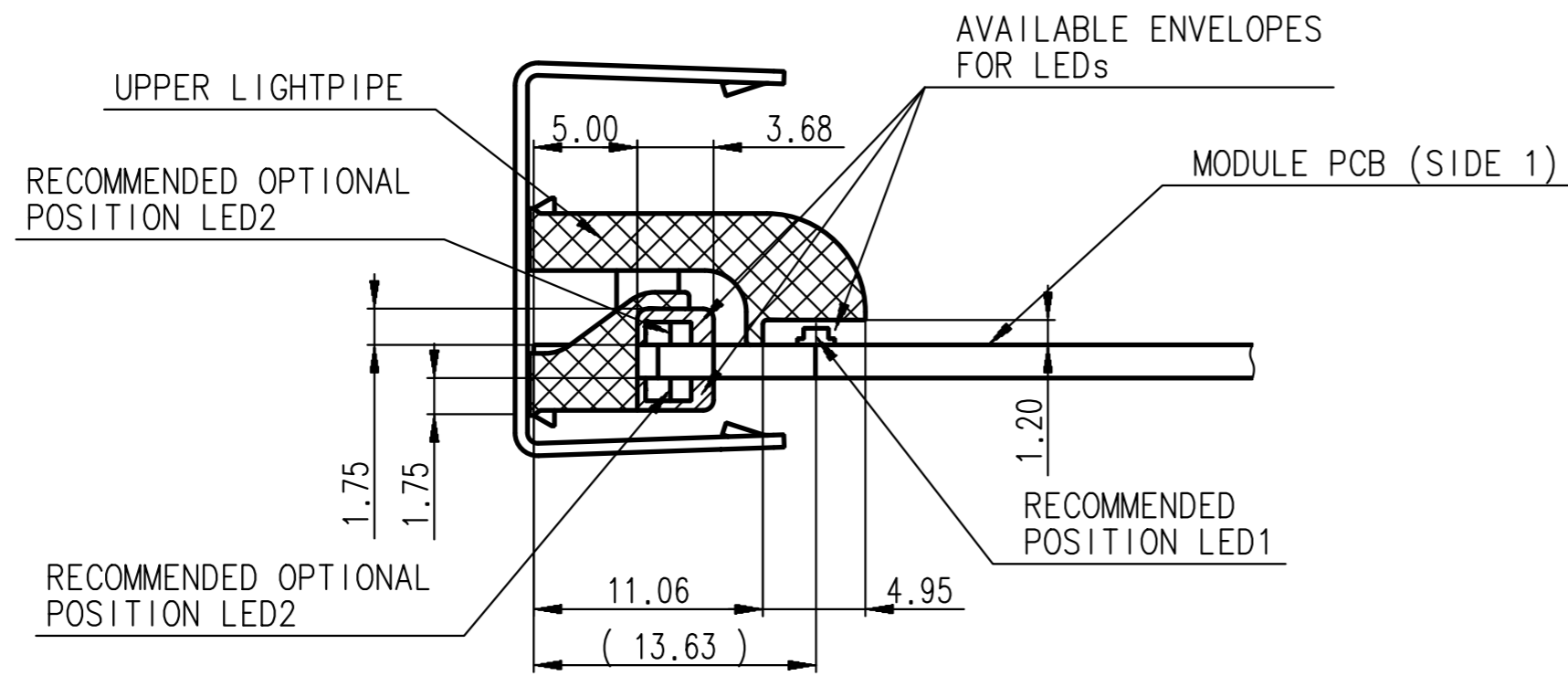
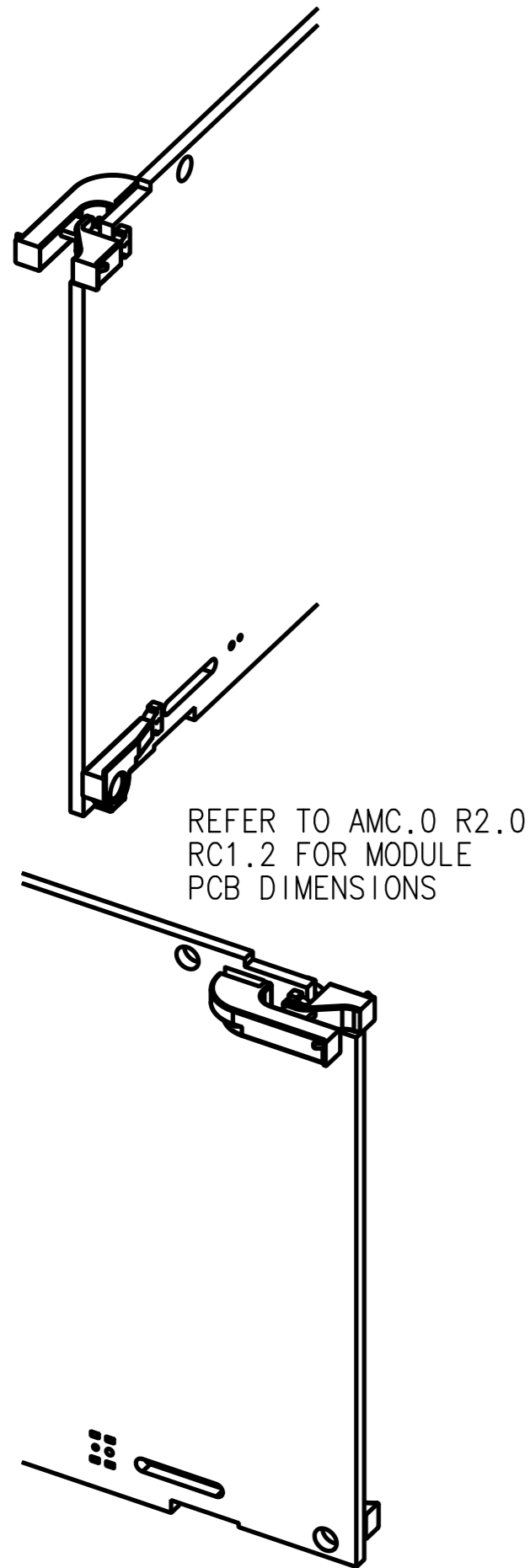
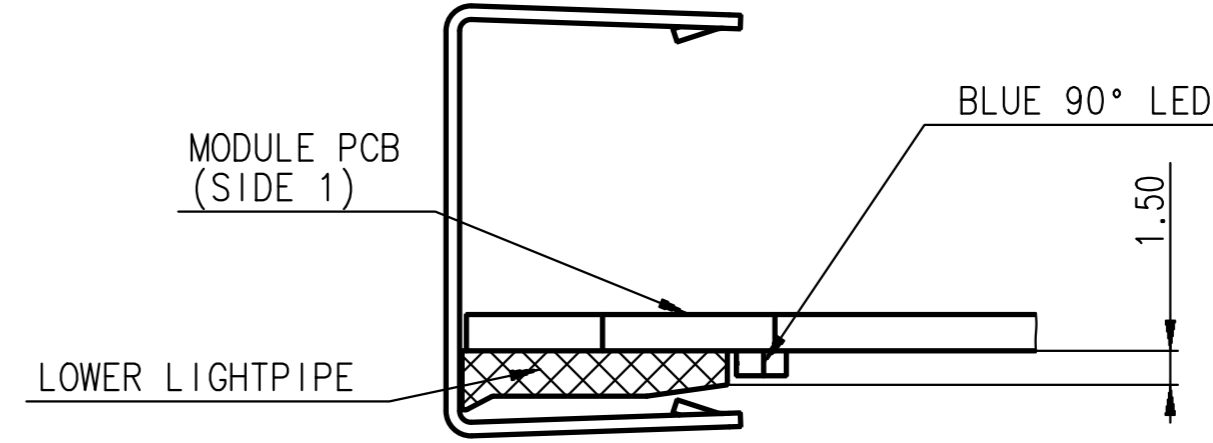


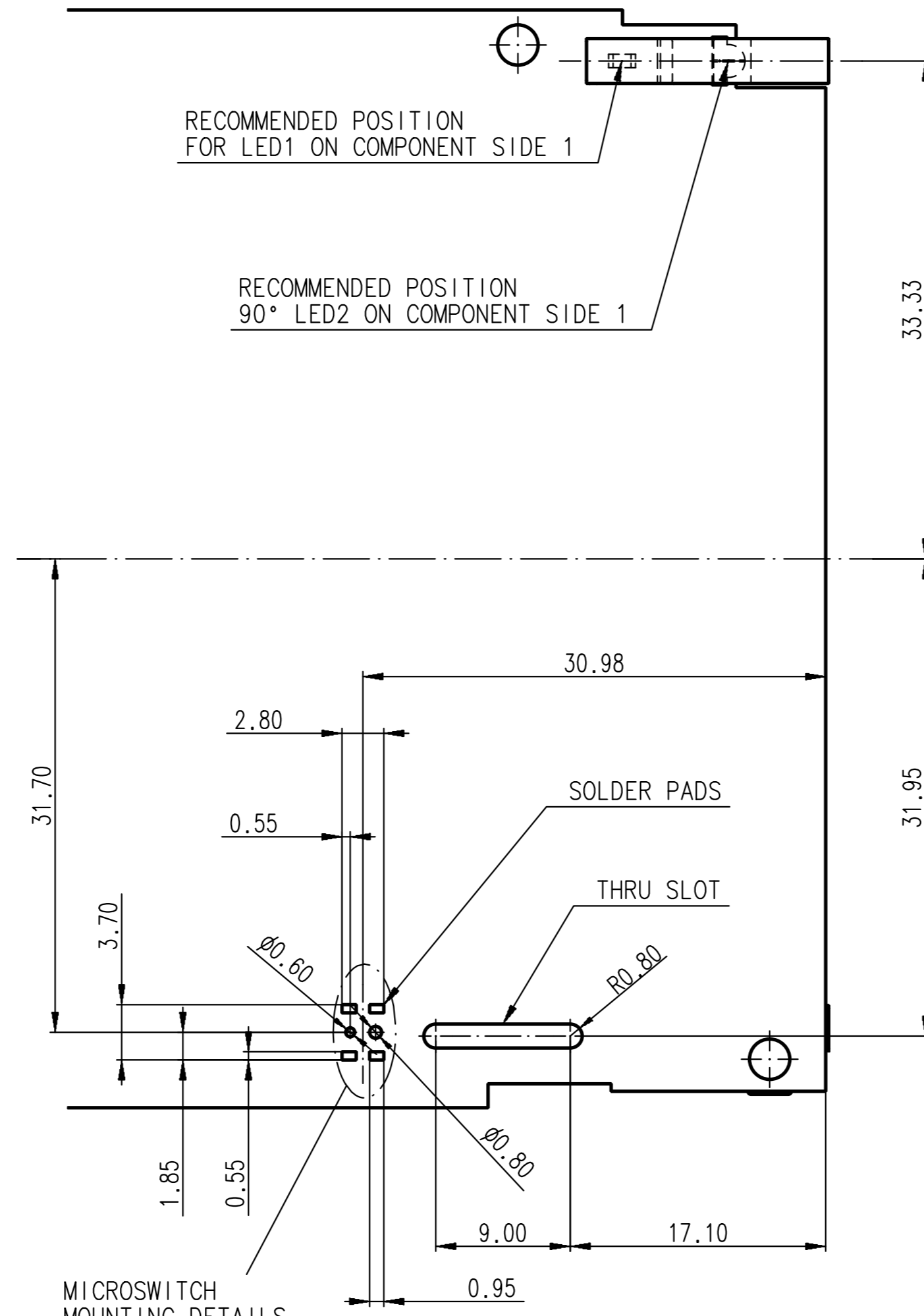
TOP VIEW SHOWING UPPER LEDS ONLY



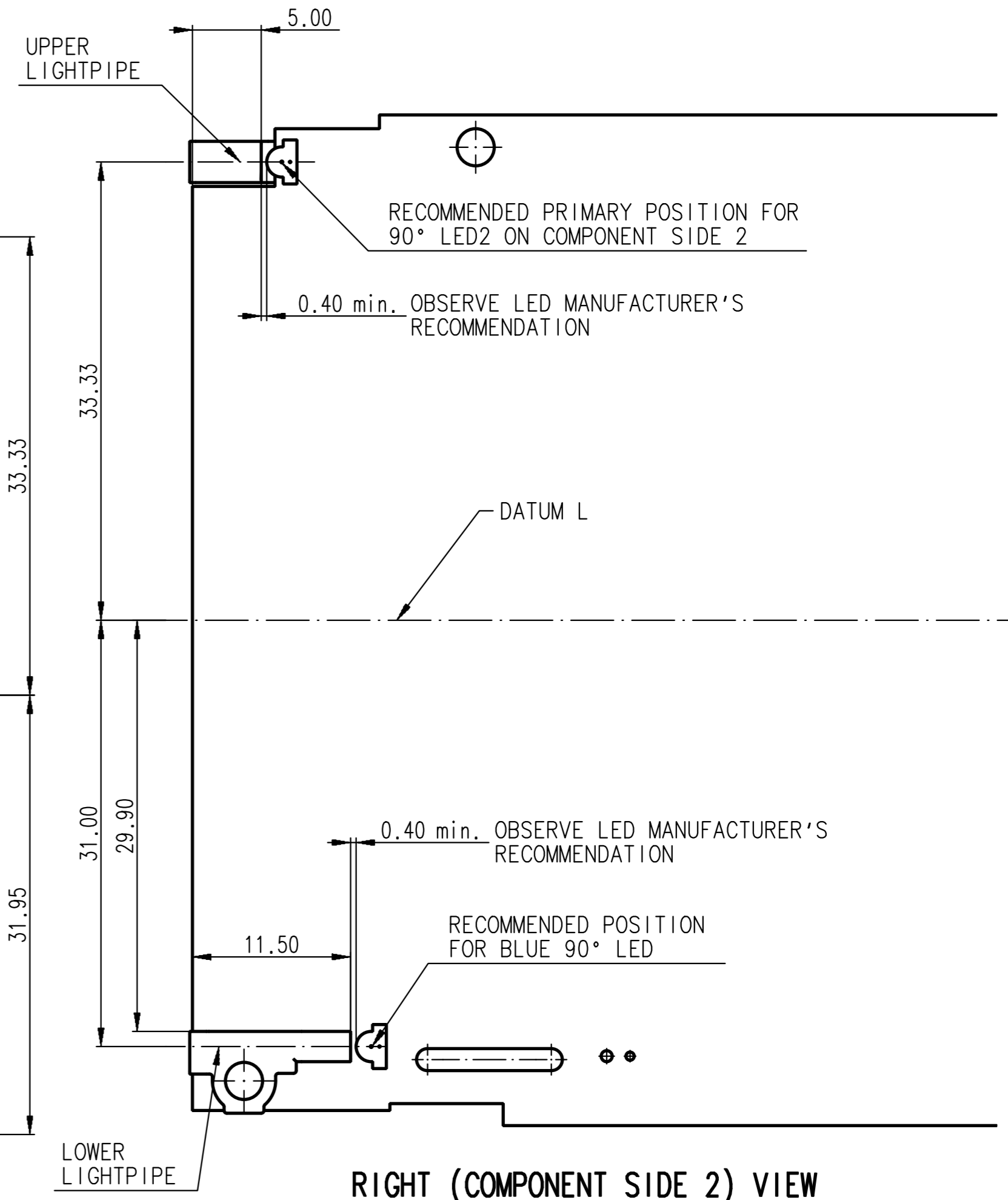
TOP VIEW SHOWING LOWER LED ONLY



REFER TO AMC.0 R2.0 RC1.2 FOR MODULE PCB DIMENSIONS



LEFT (COMPONENT SIDE 1) VIEW



RIGHT (COMPONENT SIDE 2) VIEW

d	.. / ..	** . . . . *	Projectname:/Use:/Utilisation:	Oberfl./Surface:/T.de Surface:
c	.. / ..	** . . . . *	AMC	***
b	.. / ..	** . . . . *	Maßstab/Scale/ Echelle	Werkstoff:/ Material:/ Matière:
a	.. / ..	** . . . . *		
Ind. / Modification	Andr. / Datum	Revision / Date	Name / Nom	Benennung:/ Title: AMC MODULE - LED POSITIONS
Freig./Rel./Relach.				Designation: IN ACCORDANCE WITH AMC.0 R2.0 RC1.2
Norm./Revision				Z.Nr./Drawing No./Nr. du document.
Gepr./Approv./Ver.				intern Rev./Mod. Bl/Pg Status
Gez./Drawn/Des.	13.07.07	rutherford	.. - **	000 00 1/1 0 11
Ersatz für: replace/replace:	****-*** ..**	***	ITEM NO: ***	... ***



Für diese Zeichnung behalten wir uns alle Rechte vor