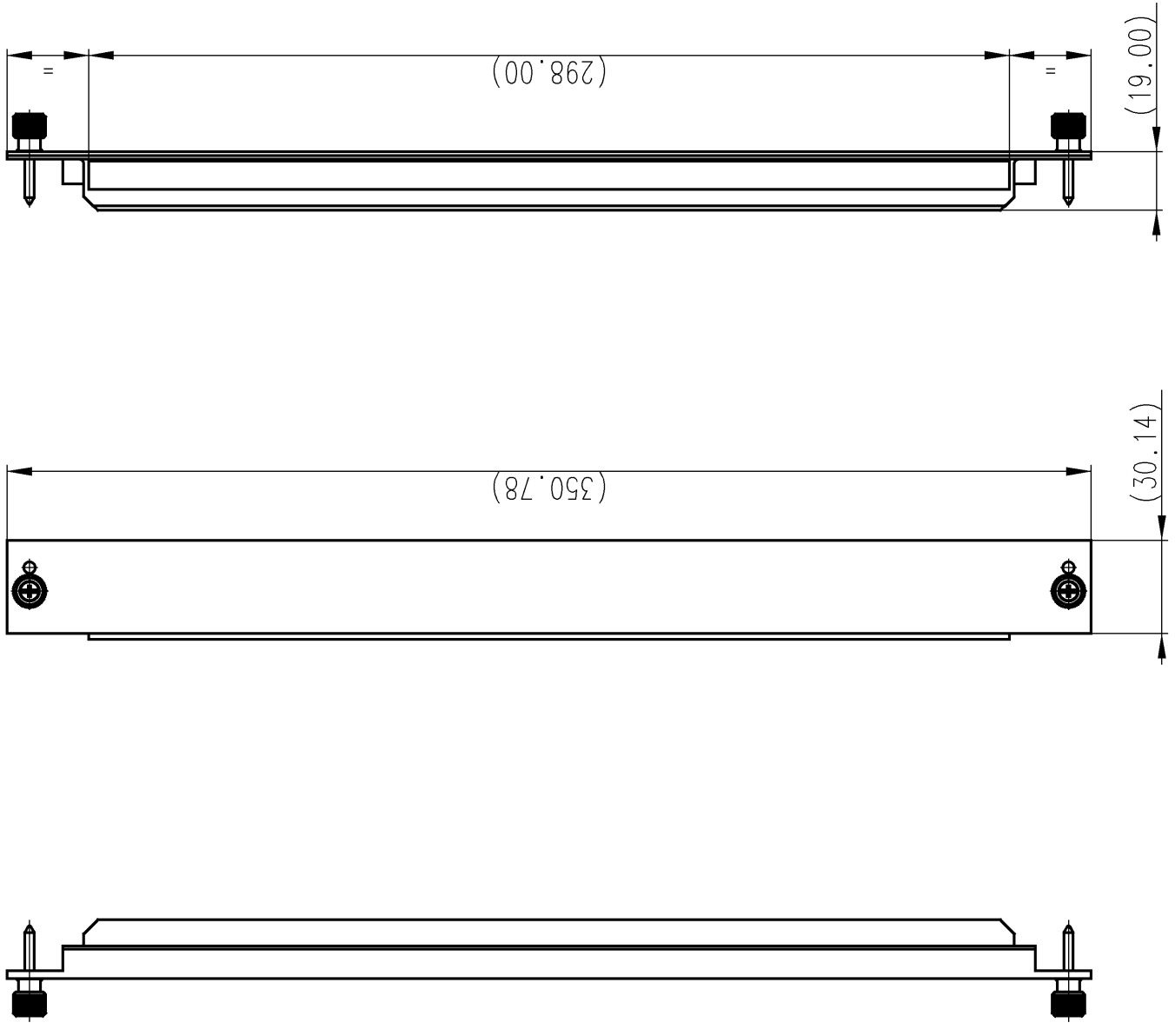
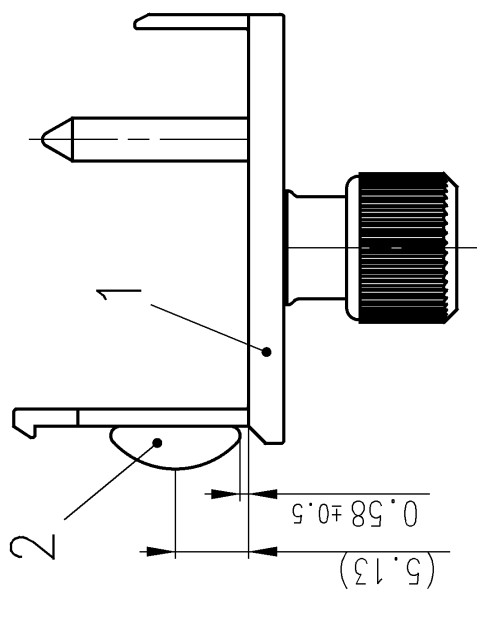


| | | |
|-----|-----|-----|
| KD | SUS | SJK |
| SCE | SUS | SJK |
| SFR | SJA | |

Adresse/Address:
 Mo. Schrott GmbH
 70434 Stubbendorf



X 2:1



A B C D E F

| | | | |
|---|---------------------------------|---|---------------------|
| Projectname:/Use:/Utilisation: ATCA | | Oberfl./:Surface:/T.de Surface: * | |
| Maßstab/Scale/Echelle: 1:2 | Werkstoff:/Material:/Matiere: * | | |
| Ind. Andr./Revision SYM Modification | Datum Date | Name Nom | |
| Freig./Rel./Reläch. | 31.10.2003 | joist | |
| Norm./Revision | | | |
| Gepr./Approv/Ver. | | | |
| Gez./Drawn/Des. | 31.10.2003 | weilerh | |
| Ersatz für: replace/replace: | | DS | |
| Benennung:/ BL INDFRONTPLATTE 8HE 6TE | | Z.Nr./Drawing No./Nr. du document: 21591-1040000111 | |
| Designation: FILLERPANEL | | intern | Rev./Mod. Bl/Pg 1/1 |
| | | Status | 011 |
| Freimäß-Tol. ISO 2768 M | | Abmaße Dim. limits Tolerances | |
| Nennmaßbereich Correspond. Tol. Dim. nominale | | 3 < X ≤ 6 mm ±0.1 mm | |
| 0.5 < X ≤ 3 mm | | 6 < X ≤ 30 mm ±0.2 mm | |
| 3 < X ≤ 6 mm | | 30 < X ≤ 120 mm ±0.3 mm | |
| 6 < X ≤ 30 mm | | 120 < X ≤ 400 mm ±0.5 mm | |
| 30 < X ≤ 120 mm | | 400 < X ≤ 1000 mm ±0.8 mm | |
| 0.5 < X ≤ 3 mm | | 1000 < X ≤ 2000 mm ±1.2 mm | |
| | | | |

1 2 3 4 5 6 7 8