

THIS DOCUMENT CONTAINS PROPRIETARY INFORMATION WHICH MAY NOT BE DISCLOSED TO OTHERS, REPRODUCED OR USED WITHOUT AUTHORITY FROM THE PROPRIETOR.

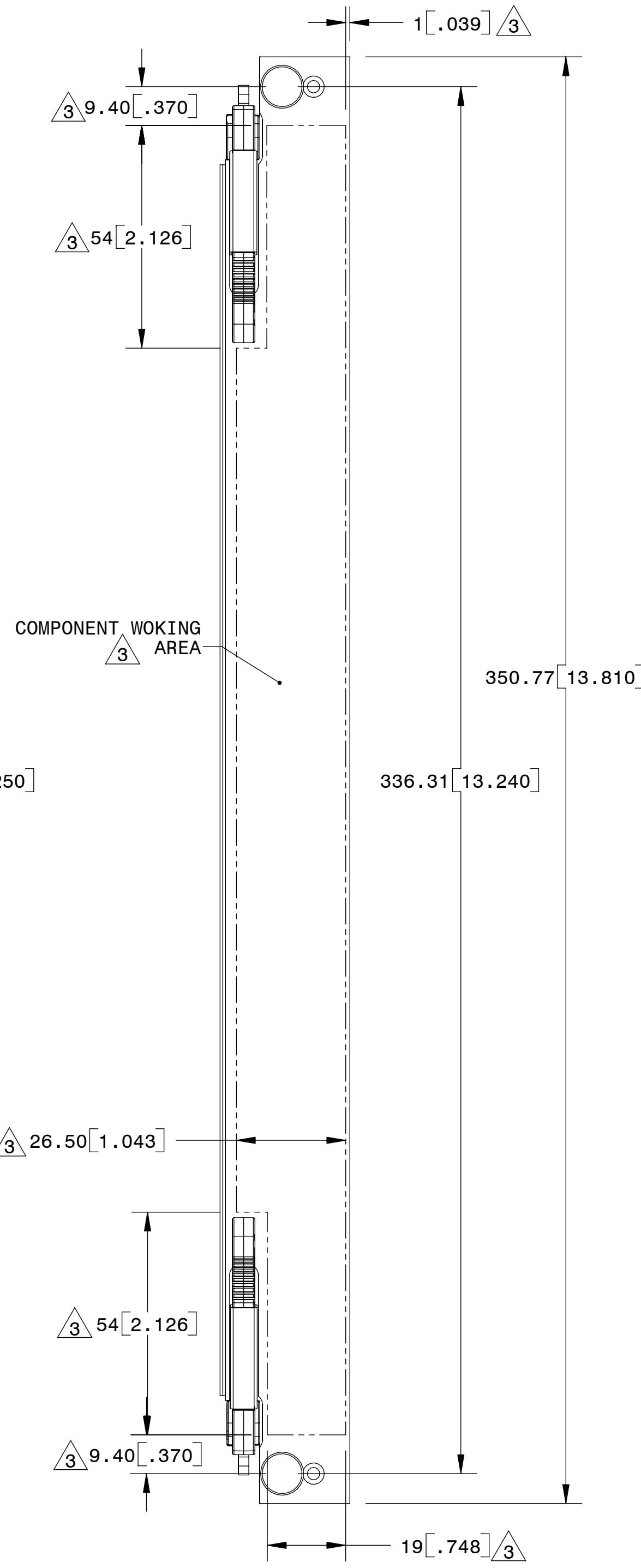
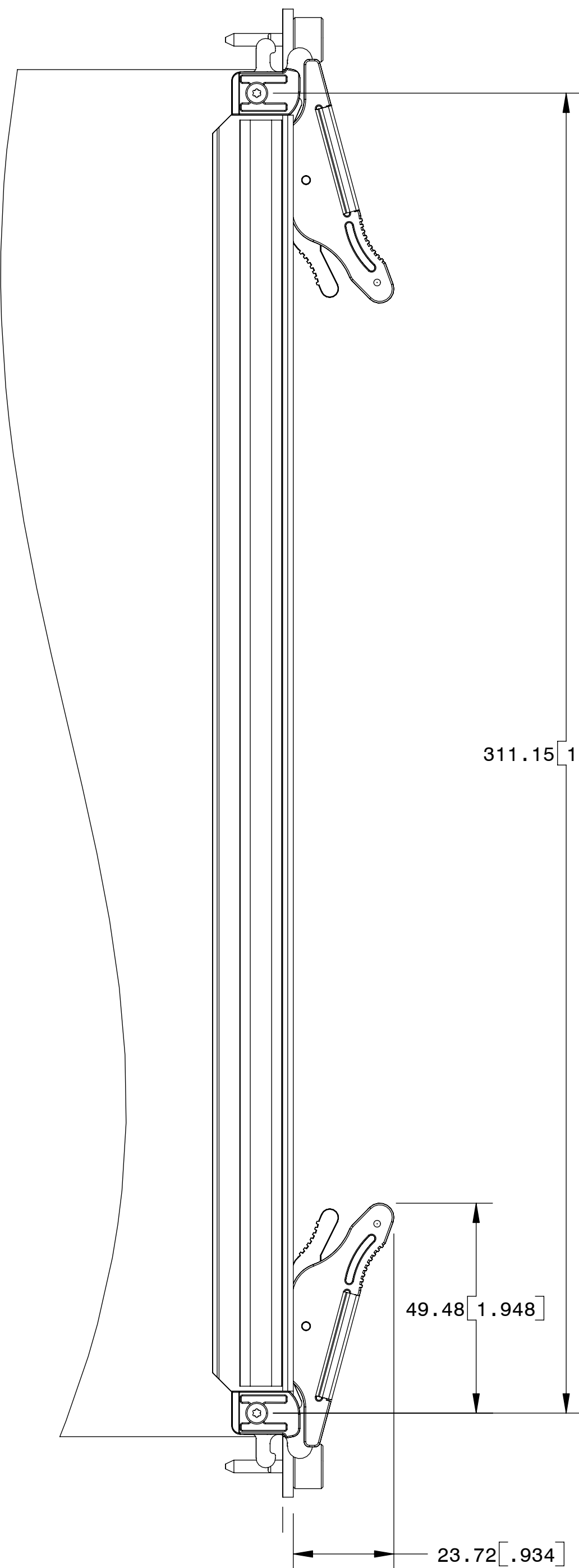
REVISION HISTORY			
REV	DESCRIPTION	ING BY	DATE
A	RELEASE	L FLORES	9-6-07
			APPROVED R GONZALEZ

NOTES: UNLESS OTHERWISE SPECIFIED.

1. APPLICABLE STANDARD/ SPECIFICATIONS:
 ALL PROCESSING/MATERIALS MUST COMPLY WITH 2002/95/EC RoHS
 ASME Y14.5-1994, DIMENSION AND TOLERANCES
 ASME Y14.38, ANSI Y14.38M, ABBREVIATIONS
 MIL-HDBK-454, GUIDELINE 9, WORKMANSHIP
 ES107003 COSMETIC STANDARDS

2. ALL DIMENSIONS SHOWN ARE REFERENCE ONLY AND SHALL NOT BE USED AS INSPECTION CRITERIA.

3 RECOMMENDED COMPONENT WORKING AREA.

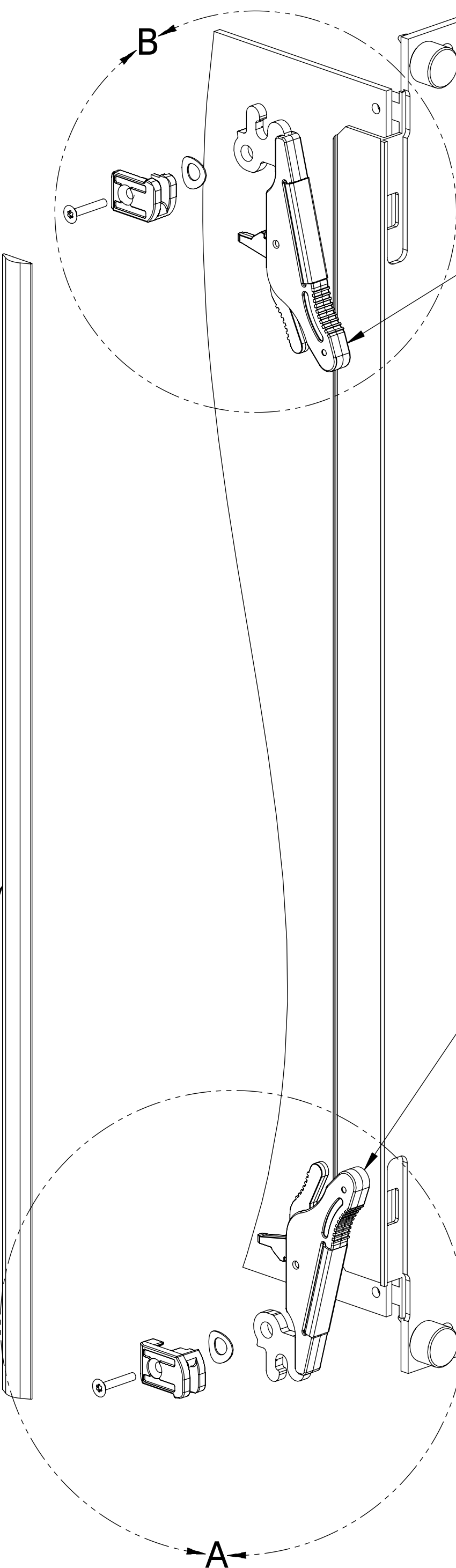


PCB REF.

USER DEFINED, PACKAGE INCLUDES 2 SCREW TYPES

DETAIL B
SCALE 2 : 1
TOP HANDLE
INSTALLATION

REFERENCE
(61594-033)



HANDLE ASSEMBLY PART NUMBERS
 10 PCS PART NO. 20817-121
 100 PCS PART NO. 20817-126

HANDLE ASSEMBLY PART NUMBERS
 10 PCS PART NO. 20817-122
 100 PCS PART NO. 20817-127

PCB REF.

USER DEFINED, PACKAGE INCLUDES 2 SCREW TYPES

DETAIL A
SCALE 2 : 1
BOTTOM HANDLE
INSTALLATION

ALL DIMENSIONS mm [INCH] THIRD ANGLE PROJECTION	COSMETIC APPEARANCE MAX CLASS A	APPROVALS DESIGNED BY: L FLORES 9-6-07 CHECKED BY: R ACOSTA 9-6-07 RESPONSIBLE ENG: R GONZALEZ 9-6-07	DATE 9-6-07	Schroff ... a brand of Pentair Electronic Packaging			
	MIN CLASS B	TITLE KIT-IEA 2.5 THK PNL-PLUNGER					
DESIGN AUTHORITY POWAY	MATERIAL FINISH	PROJECT/CUSTOMER ATCA HANDLE	FILE NAME 20818-139	SIZE D	CAGE CODE 61081	DWG NO. 20818-139	REV A
		SCALE 1:2	WEIGHT N/A	SHEET 1 OF 2			

SOLIDWORKS

JUN06

10

9

8

7

6

5

4

3

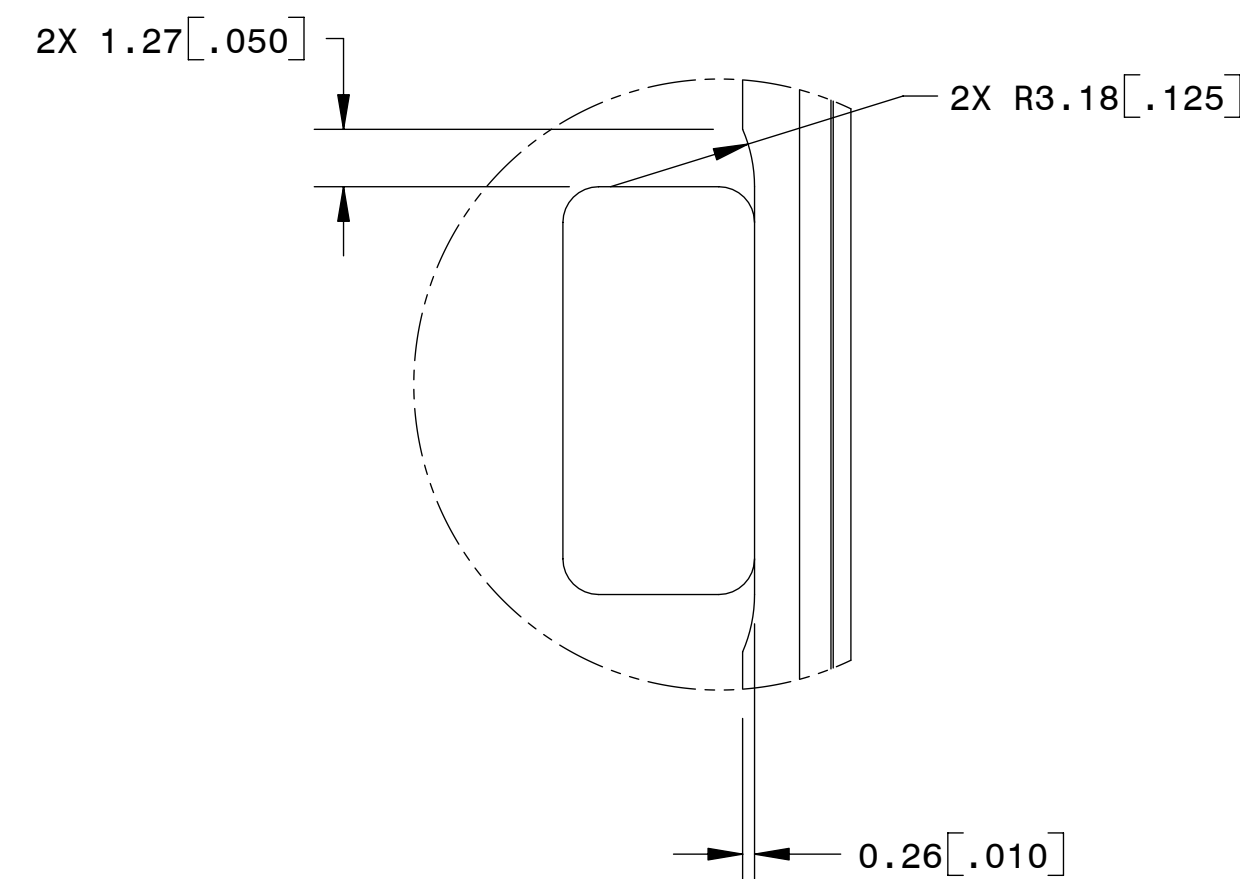
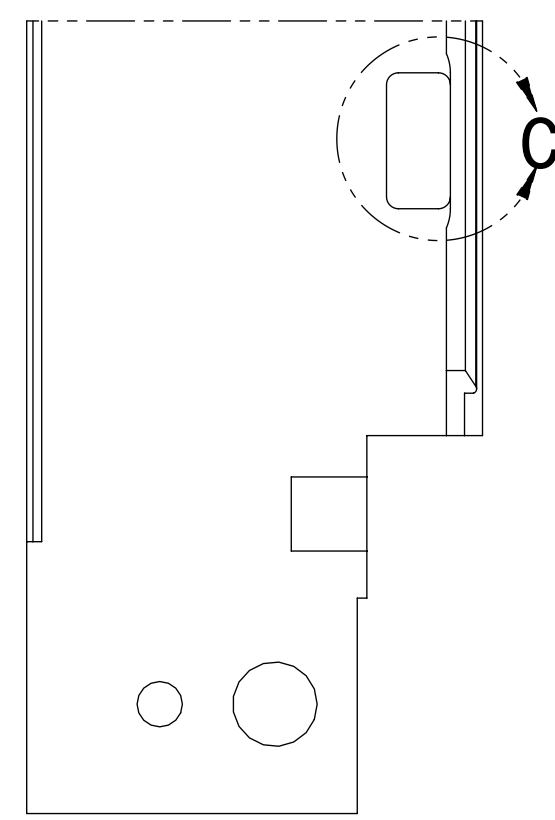
DWG NO. 20818-139

REV A 2 OF 2

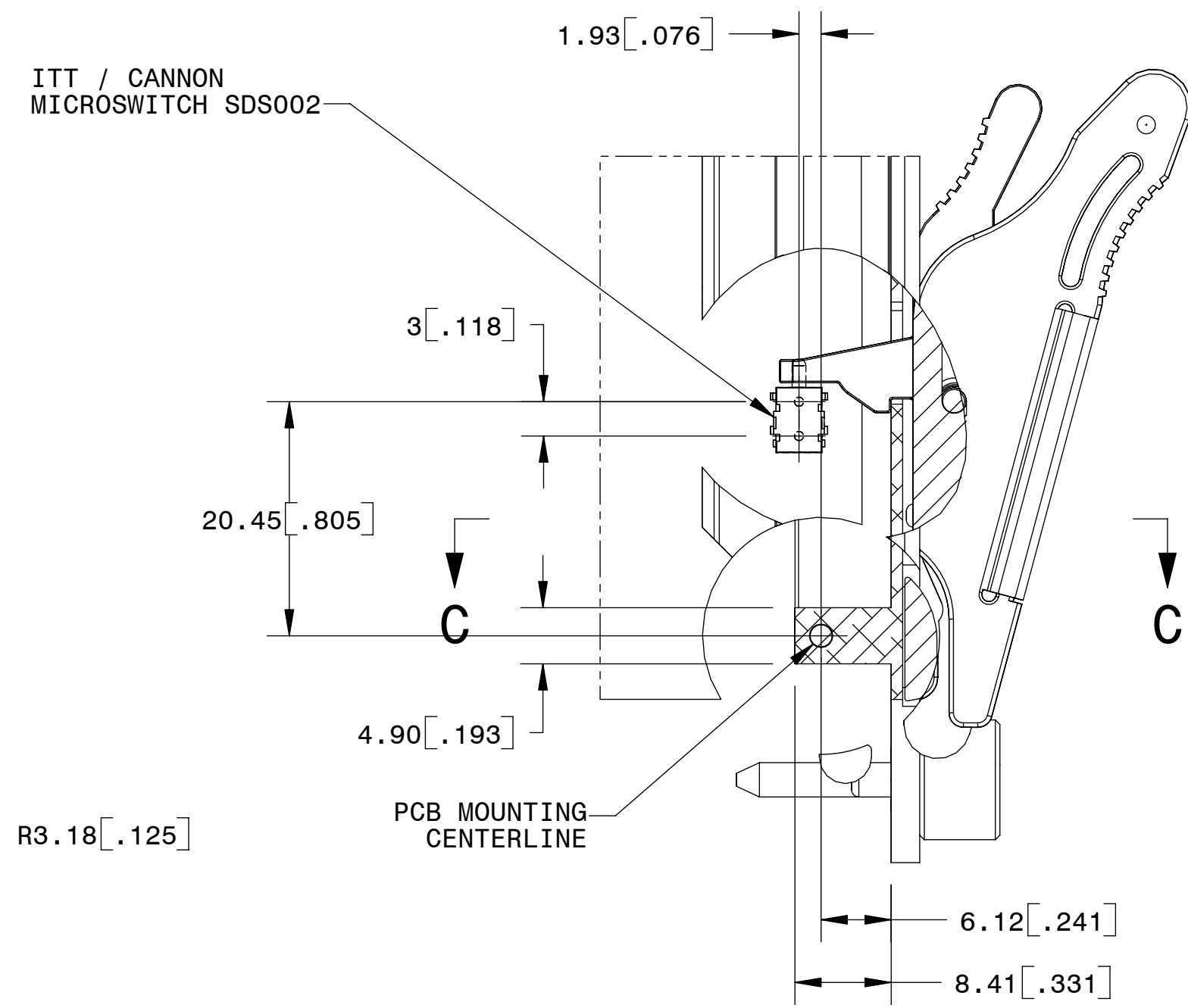
1

NOTES: SEE SHEET 1

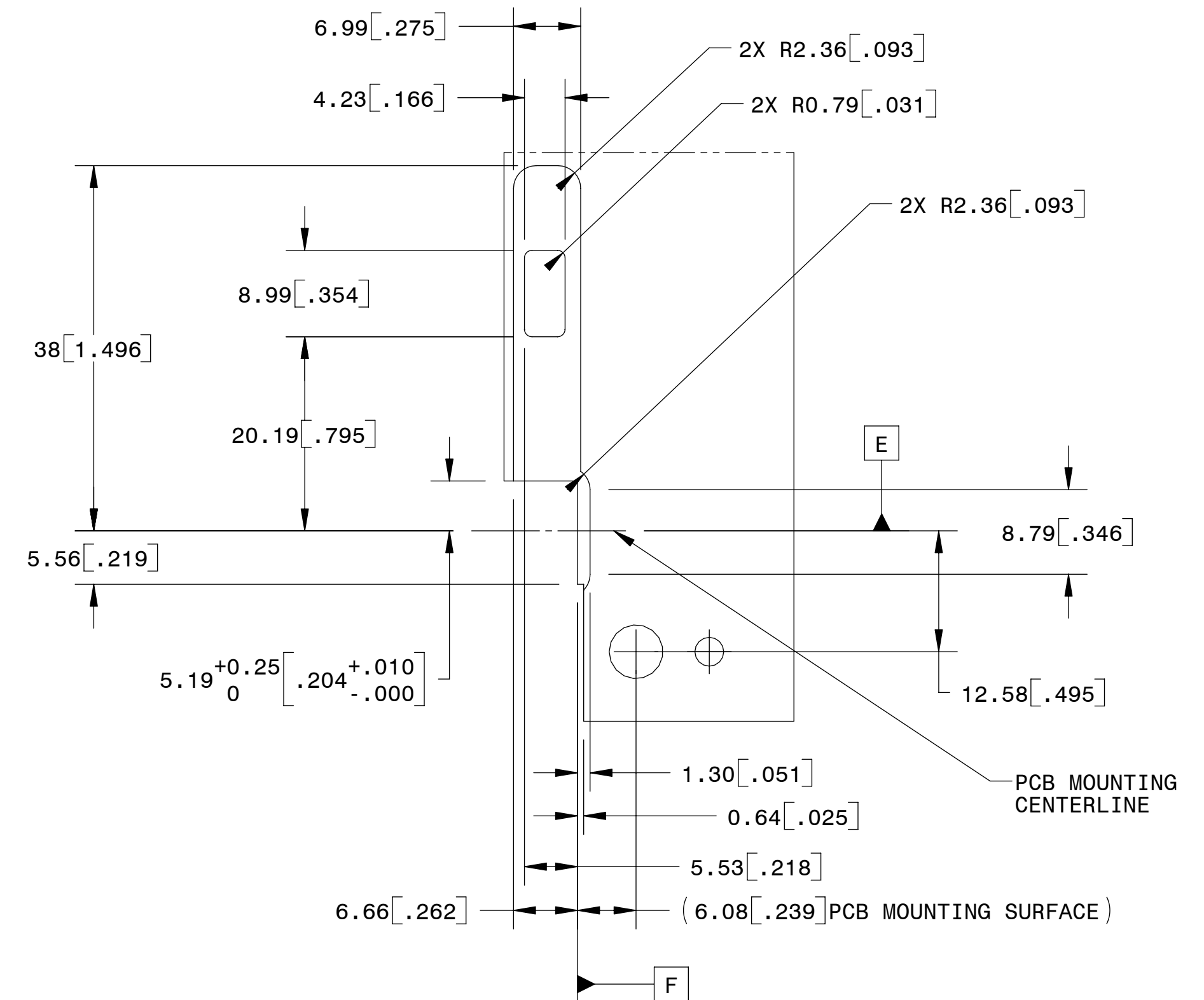
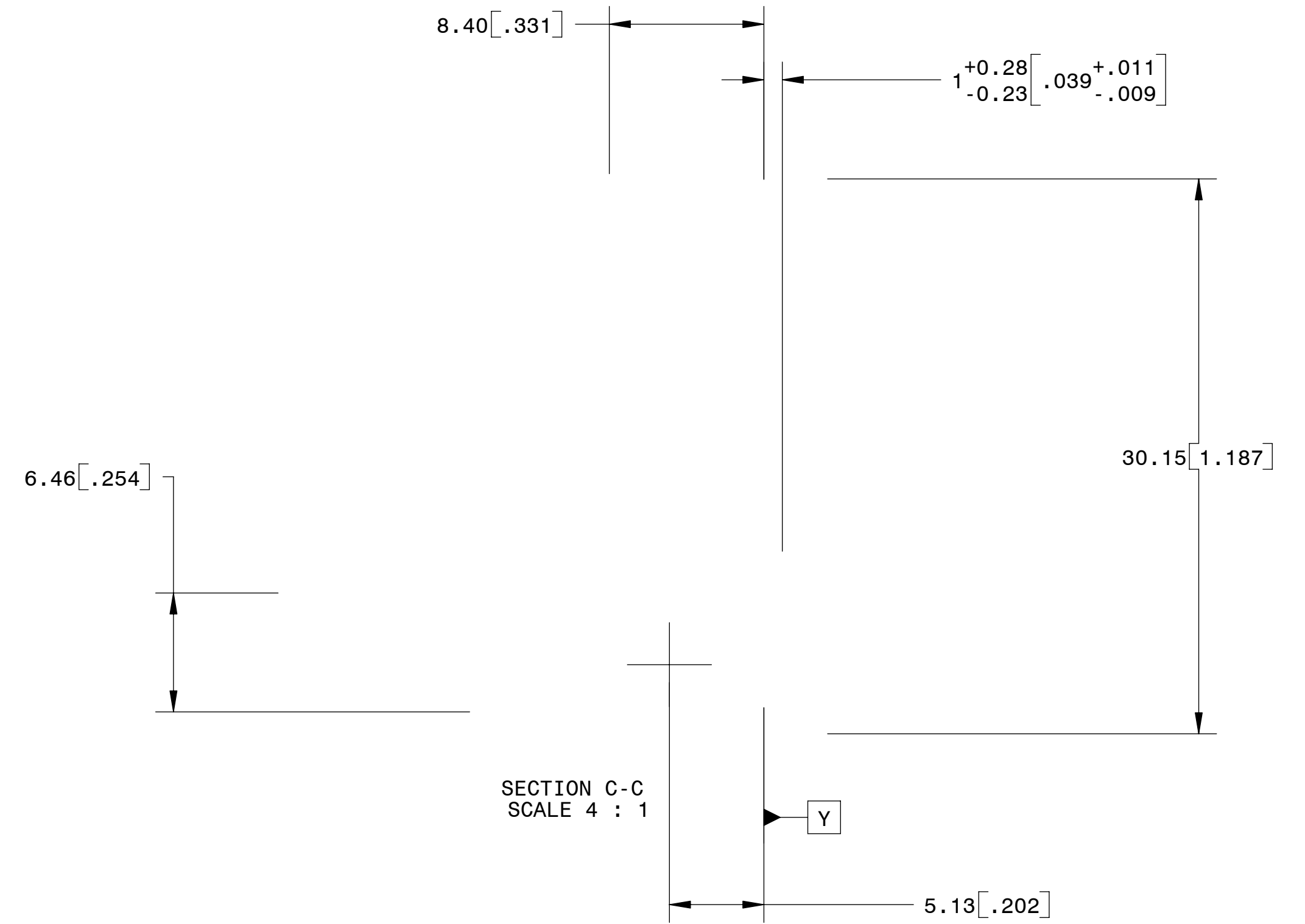
2.5mm THICK PANEL



DETAIL C
SCALE 6 : 1



MICROSWITCH LOCATION



PANEL PREPARATION