

THIS DOCUMENT CONTAINS PROPRIETARY INFORMATION WHICH MAY NOT BE DISCLOSED TO OTHERS, REPRODUCED OR USED WITHOUT AUTHORITY FROM THE PROPRIETOR.

REVISION HISTORY

REV	DESCRIPTION	INC BY	DATE	APPROVED
A	RELEASE	MSR	02-12-08	R GONZALEZ

NOTES: UNLESS OTHERWISE SPECIFIED.

1. APPLICABLE STANDARD/ SPECIFICATIONS:  
ALL PROCESSING/MATERIALS MUST COMPLY WITH 2002/95/EC RoHS  
ASME Y14.5-1994, DIMENSION AND TOLERANCES  
ASME Y14.38, ANSI Y14.38M, ABBREVIATIONS  
MIL-HDBK-454, GUIDELINE 9, WORKMANSHIP  
ES107003 COSMETIC STANDARDS
2. ALL DIMENSIONS SHOWN ARE REFERENCE ONLY AND SHALL NOT BE USED AS INSPECTION CRITERIA.
3. RECOMMENDED COMPONENT WORKING AREA.

USER DEFINED, PACKAGE INCLUDES 2 SCREW TYPES

PCB REF.

DETAIL B  
SCALE 2 : 1

TOP HANDLE  
ASSY INSTALLATION

HANDLE ASSEMBLY PART NUMBERS  
10 PCS PART NO. 20818-123  
100 PCS PART NO. 20818-128

REFERENCE  
(31596-410)

REFERENCE  
(61594-033)

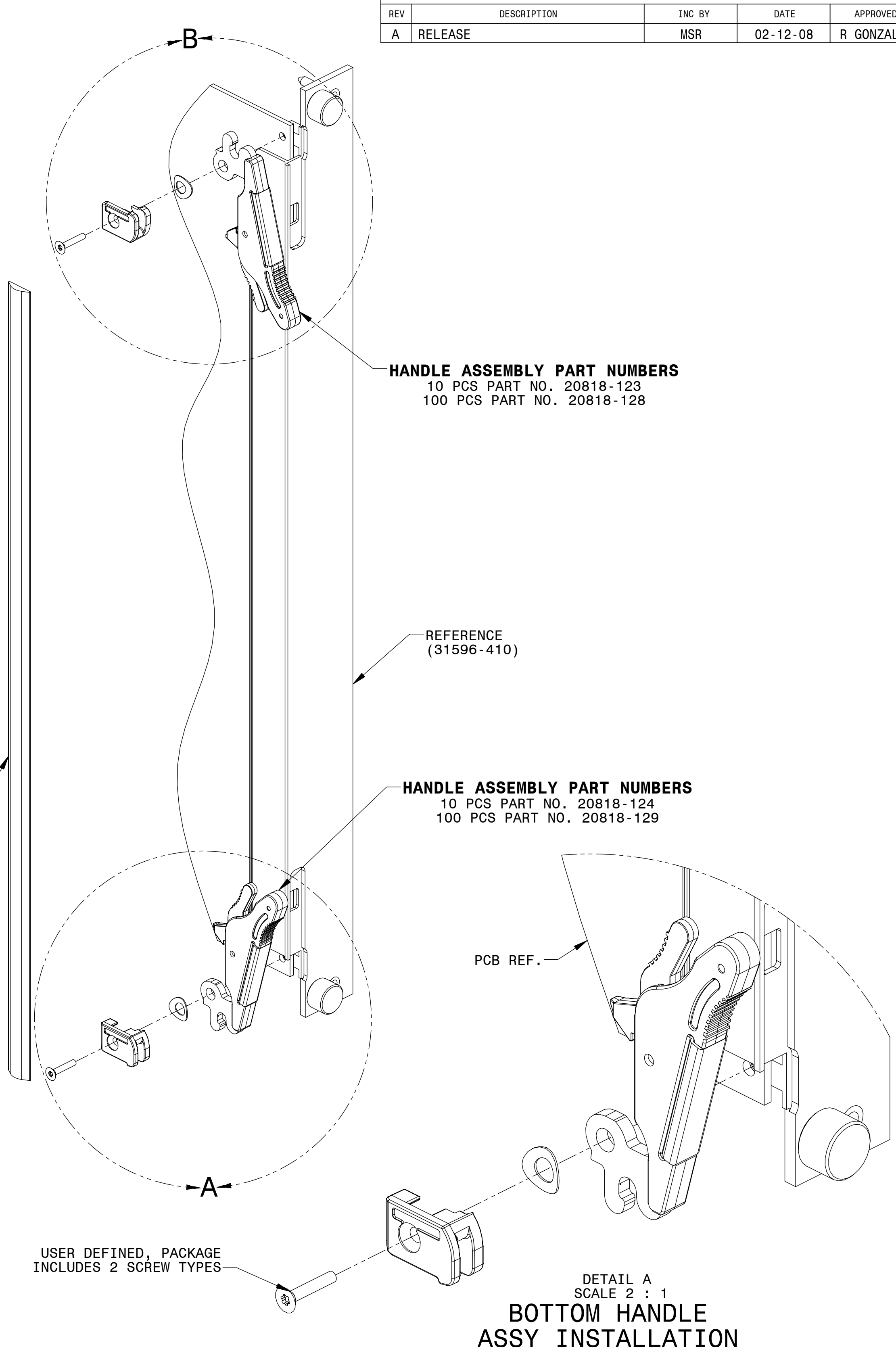
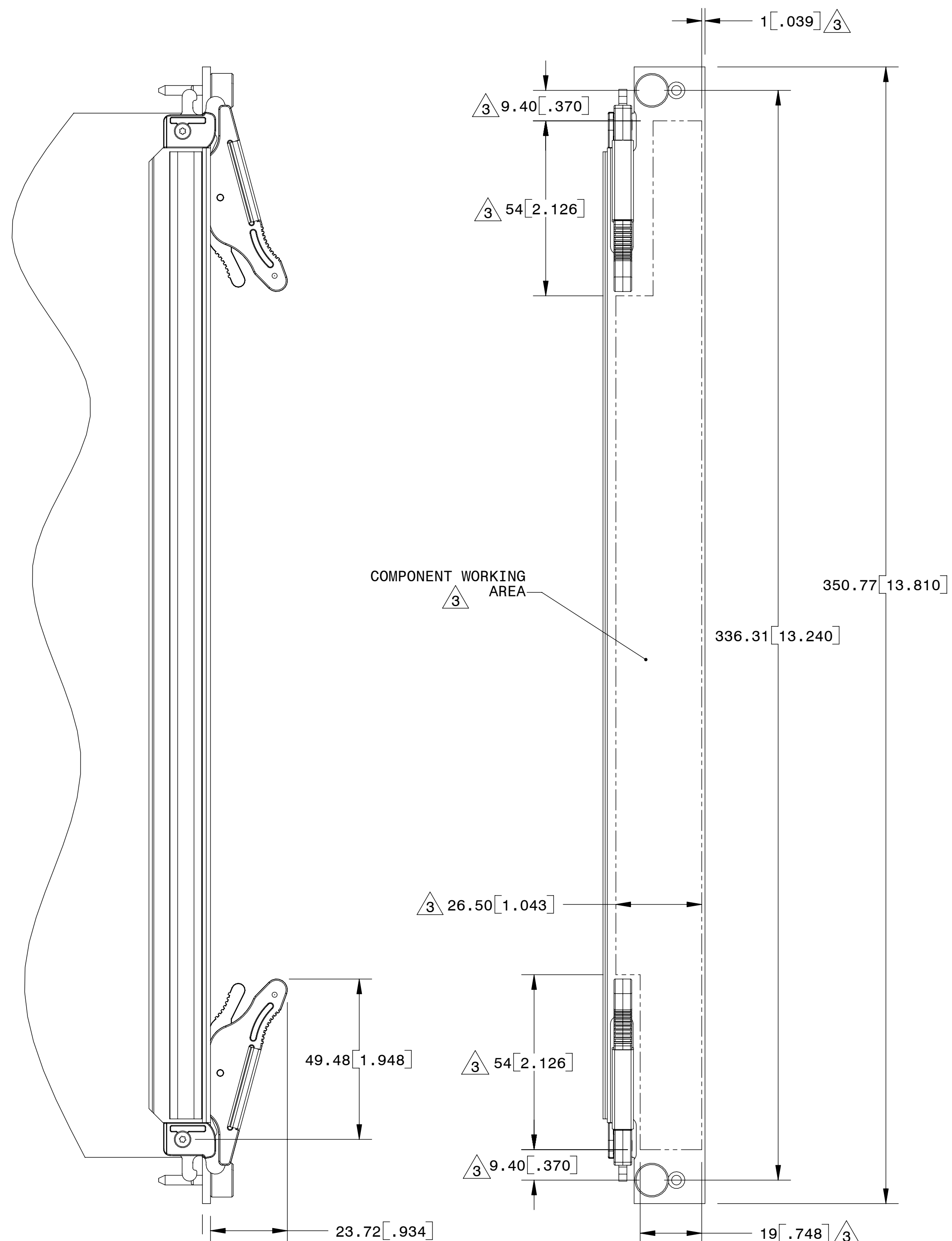
HANDLE ASSEMBLY PART NUMBERS  
10 PCS PART NO. 20818-124  
100 PCS PART NO. 20818-129

PCB REF.

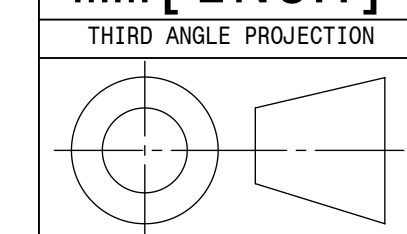
USER DEFINED, PACKAGE INCLUDES 2 SCREW TYPES

DETAIL A  
SCALE 2 : 1

BOTTOM HANDLE  
ASSY INSTALLATION



ALL DIMENSIONS  
mm [ INCH ]



DESIGN AUTHORITY  
POWAY

COSMETIC APPEARANCE  
MAX CLASS  
**A**

MIN CLASS  
**B**

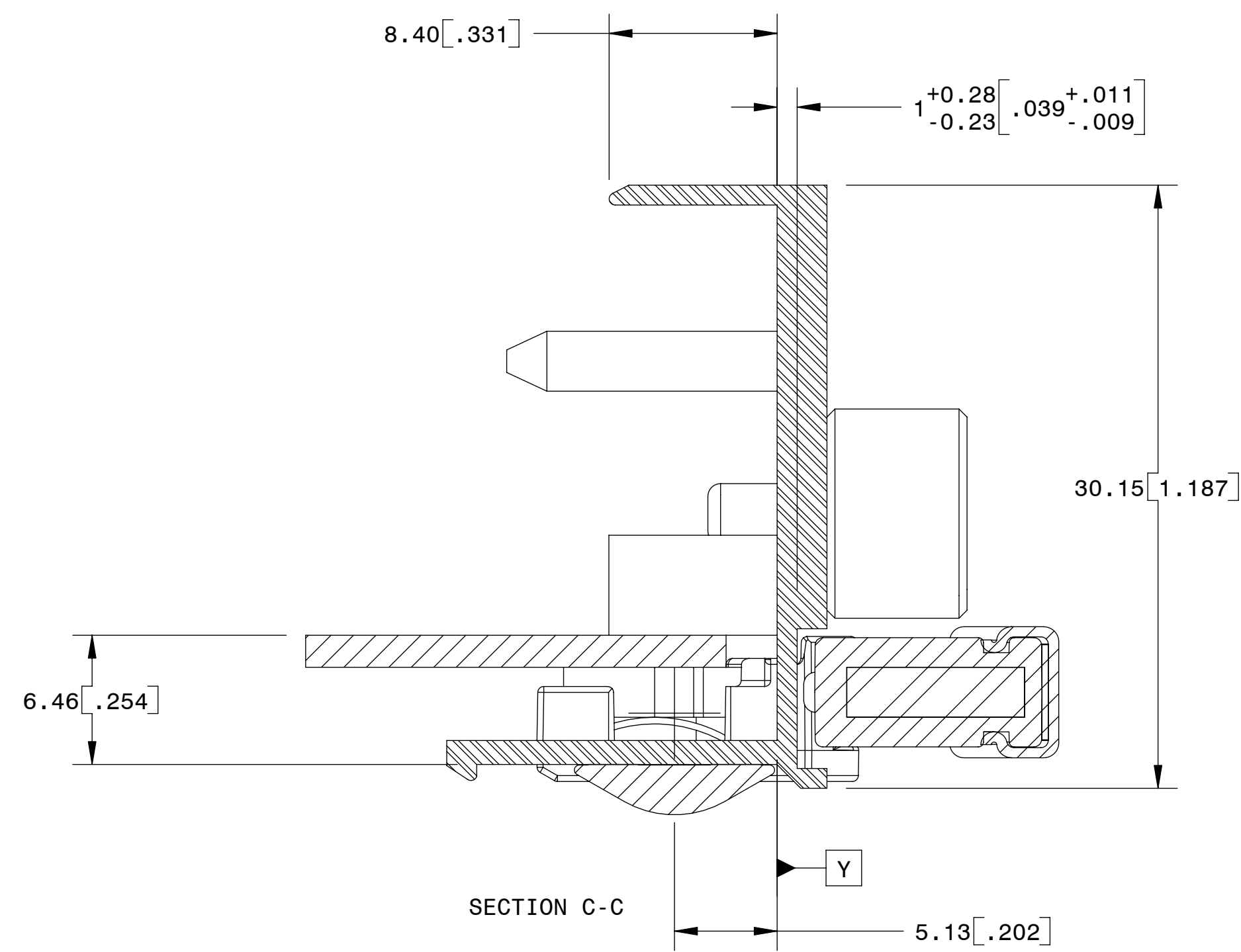
MATERIAL  
SEE BOM

FINISH  
NONE

APPROVALS		DATE
DESIGNED BY:	M REYES	02-12-08
DRAWN BY:	M REYES	02-12-08
CHECKED BY:	R GONZALEZ	02-12-08
RESPONSIBLE ENG:	R GONZALEZ	02-12-08
PROJECT/CUSTOMER	ATCA	
FILE NAME	20818-136	

<b>Schroff</b> ... a brand of		<b>Pentair</b> Electronic Packaging	
TITLE <b>KIT-IEA 2.5 THK PNL-LEVER</b>			
SIZE	CAGE CODE	DWG NO.	REV
D	61081	20818-136	A
SCALE	1:1	WEIGHT	N/A
SHEET		1 OF 2	

NOTES: SEE SHEET 1



2.5mm THICK PANEL

