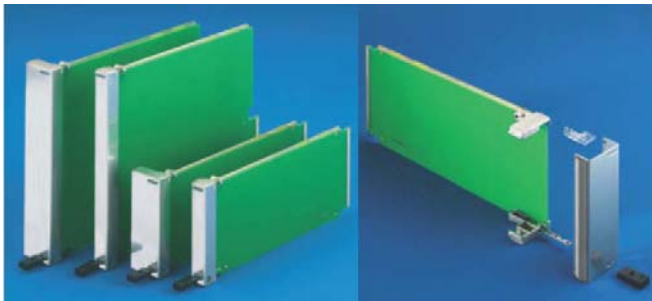
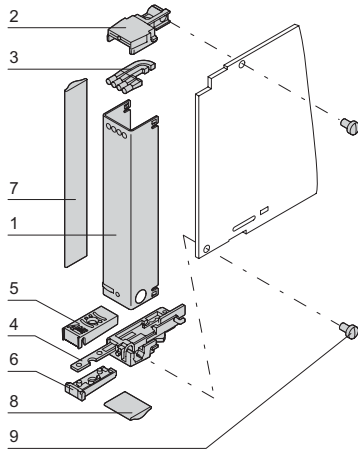


AdvancedMC module mechanics PIGMG® AMC.0 RC1.1



1280500712805006



- Kit, shielded
- Locking of modules without screws
- For Conventional, Cutaway and Hybrid Carrier
- Insertion/extraction mechanics in accordance with AdvancedMC standard
- Insertion/extraction mechanics designed for micro switch operation (hot-swap)
- Inclusive of Light Pipe

Delivery comprises (kit)

Item	Qty	Description
1	1	U-form front panel, stainless steel, 0.6 mm
2	1	Reception for Light Pipe and printed board bracket, Zn die-cast, nickel-plated
3	1	Light Pipe, PC, UL 94 V-0
4	1	Standard insertion/extraction mechanics, with micro switch operation and printed board bracket
5+6	1	Handle, PC, UL 94 V-0, black
7	1	Lateral EMC gasketing, core: foam, sleeve: textile cladding with CuNi coating
8	1	Bottom EMC gasketing, core: foam, sleeve: textile cladding with CuNi coating
9	1	Assembly kit

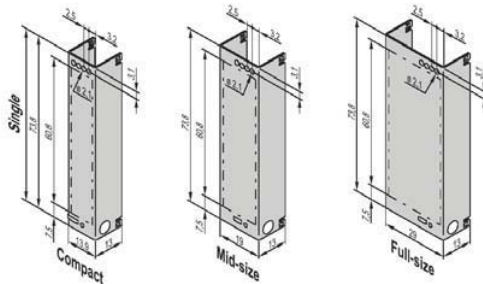
12805061

Order Information

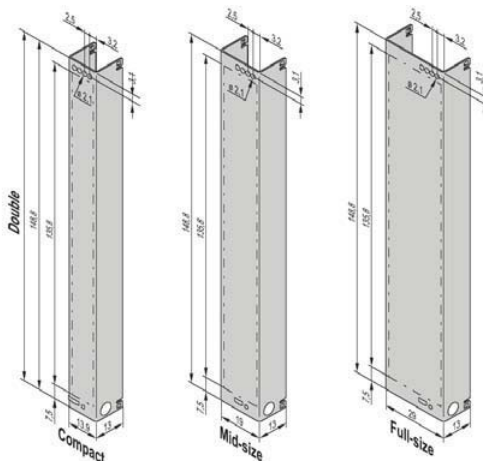
Description	Order no.
AdvancedMC module mechanics Single Compact, 3 HP	20849-002
AdvancedMC module mechanics Single Mid-size, 4 HP	20849-101
AdvancedMC module mechanics Single Full-size, 6 HP	20849-004
AdvancedMC module mechanics Double Compact, 3 HP	20849-003
AdvancedMC module mechanics Double Mid-size, 4 HP	20849-104
AdvancedMC module mechanics Double Full-size, 6 HP	20849-005
Micro switch for AdvancedMC module (opener) for soldering (SMD), PU 10 pieces	20849-065
Micro switch for AdvancedMC module (closer) for soldering (SMD), PU 10 pieces	20849-015

12806080

Single AdvancedMC module



Double AdvancedMC module



12806050

Note

- In accordance with specification up to 01.07.2007, new version available, see page 33
- Filler modules (filler panel), see page 34
- Description micro switch for AdvancedMC module, see page 35
- Schroff offers an extensive modification service via the Front Panel Fast Track, including customized cut-outs, foils and silk-screen printing, www.schroff.biz/fpe

FRONT PANEL FAST TRACK



For further information www.schroff.biz/oneclick
oneClick code = Order no.