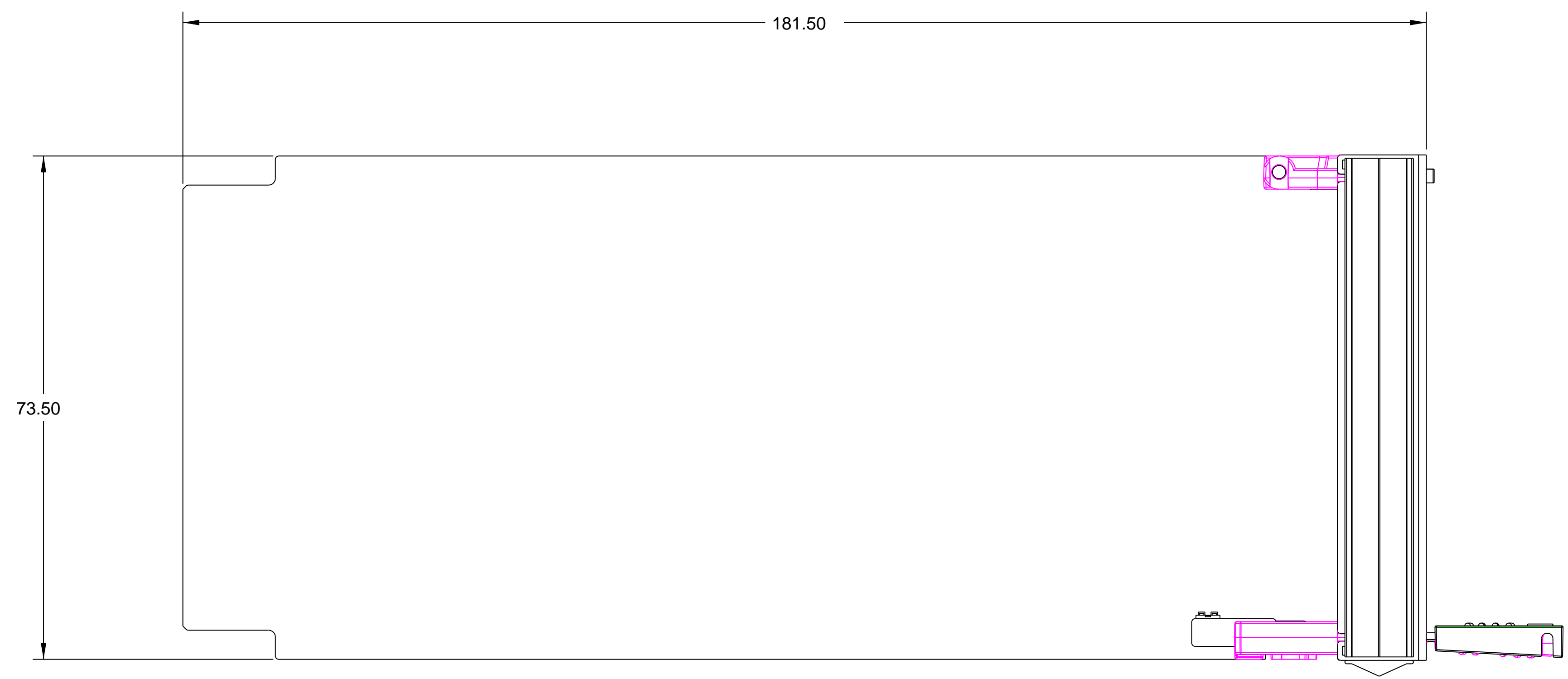
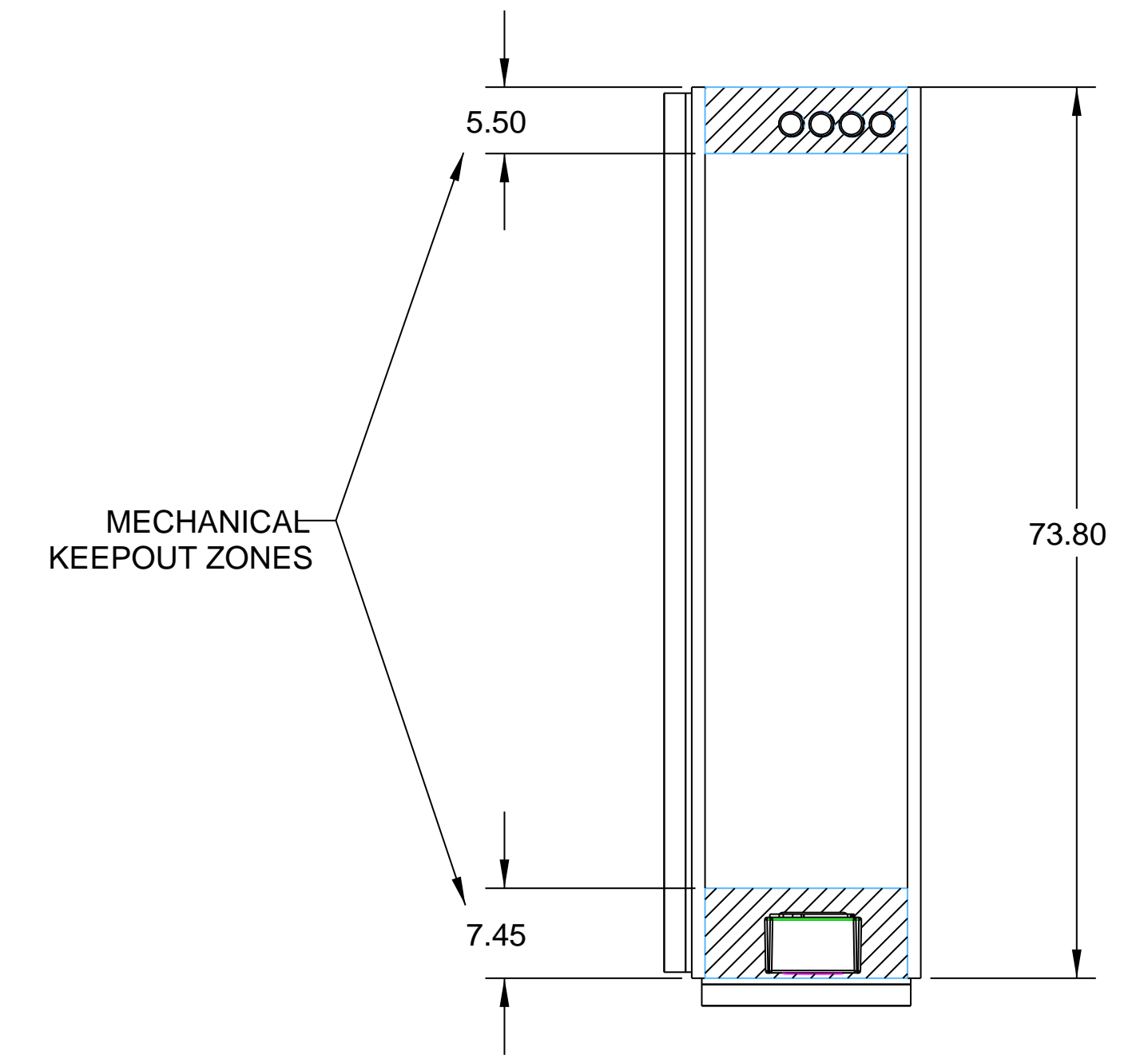


| | | | | | | |
|--|-------------|--------|-------|----------|----|---|
| DWG NO | 20849-101 | REV | SH | 1 | OF | 2 |
| THIS DOCUMENT CONTAINS PROPRIETARY INFORMATION WHICH MAY NOT BE DISCLOSED TO OTHERS, REPRODUCED OR USED WITHOUT AUTHORITY FROM THE PROPRIETOR. | | | | | | |
| REVISION HISTORY | | | | | | |
| REV | DESCRIPTION | INC BY | DATE | APPROVED | | |
| A | --/-- EDR | | --/-- | | | |



P/N 20849-101 FURNISHED AS A KIT
PCB w/MICROSWITCH NOT INCLUDED



| TOLERANCE (UNLESS OTHERWISE SPECIFIED) | | | |
|--|--|---------------|--|
| mm | HOLES | [INCH] | HOLES |
| DECIMALS | 0.00 +.08 3.19 -.03 3.20 +.10 6.39 -.03 | DECIMALS | 0.000 +.003 .124 -.001 .125 +.004 .250 -.001 |
| X ±0.5 | 6.40 +.13 | X.XX ±0.02 | .251 +.005 |
| X.X ±0.2 | 12.89 -.05 | X.XXX ±0.010 | .500 -.002 .501 +.006 .750 -.002 |
| X.XX ±0.10 | 12.70 +.15 19.09 -.05 | ANGULAR | .751 +.008 1.000 -.003 1.001 +.010 OVER -.004 |
| ANGULAR | ±1/2 ° | ANGULAR | ±1/2 ° |

| | |
|------------------------|---------------------|
| ALL DIMENSIONS | COSMETIC APPEARANCE |
| mm[INCH] | MAX CLASS |
| THIRD ANGLE PROJECTION | A B |
| DESIGN AUTHORITY | MIN CLASS |
| WARWICK | MATERIAL FINISH |
| | 4 5 |

| | |
|-------------------|----------|
| APPROVALS | DATE |
| DESIGNED BY: | 03/06/06 |
| DRAWN BY: | 03/06/06 |
| CHECKED BY: | 03/06/06 |
| RESPONSIBLE ENG: | 03/06/06 |
| PROJECT/CUSTOMER: | |
| FILE NAME | ASM0002 |

| | | | |
|--|------------------|--|--------|
| Schroff ...a brand of | | Pentair Electronic Packaging | |
| TITLE | | | |
| KIT AMC MODULE MID SIZE SINGLE 4 ROUND LIGHTPIPES | | | |
| SIZE | CAGE CODE | DWG NO. | REV |
| D62559 | 20849-101 | | |
| SCALE | 2.000 | WEIGHT: | N/A |
| | | | 1 OF 2 |

| | |
|-------------------|-----|
| CUSTOMER PART NO. | REV |
| JUL 06 | |

