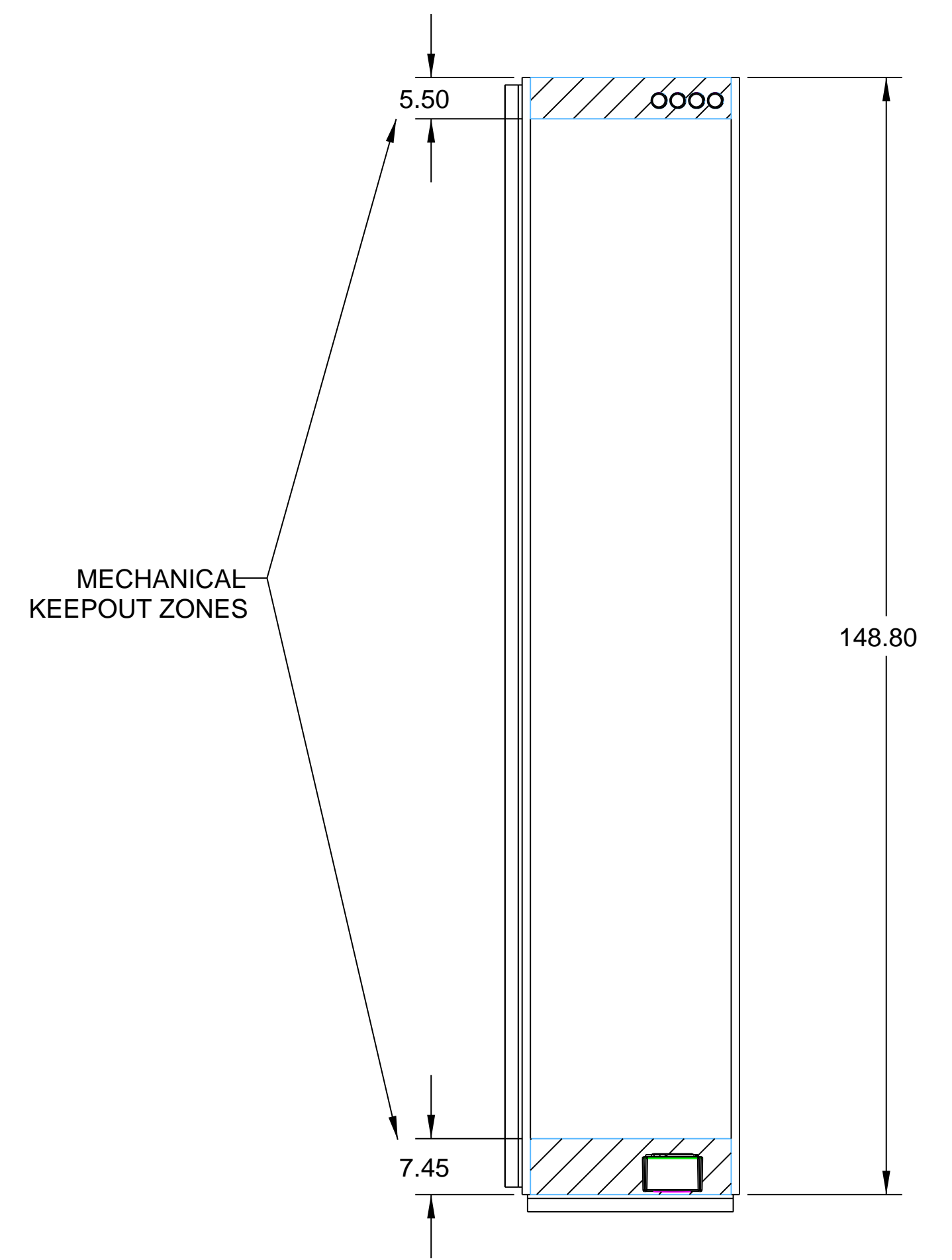
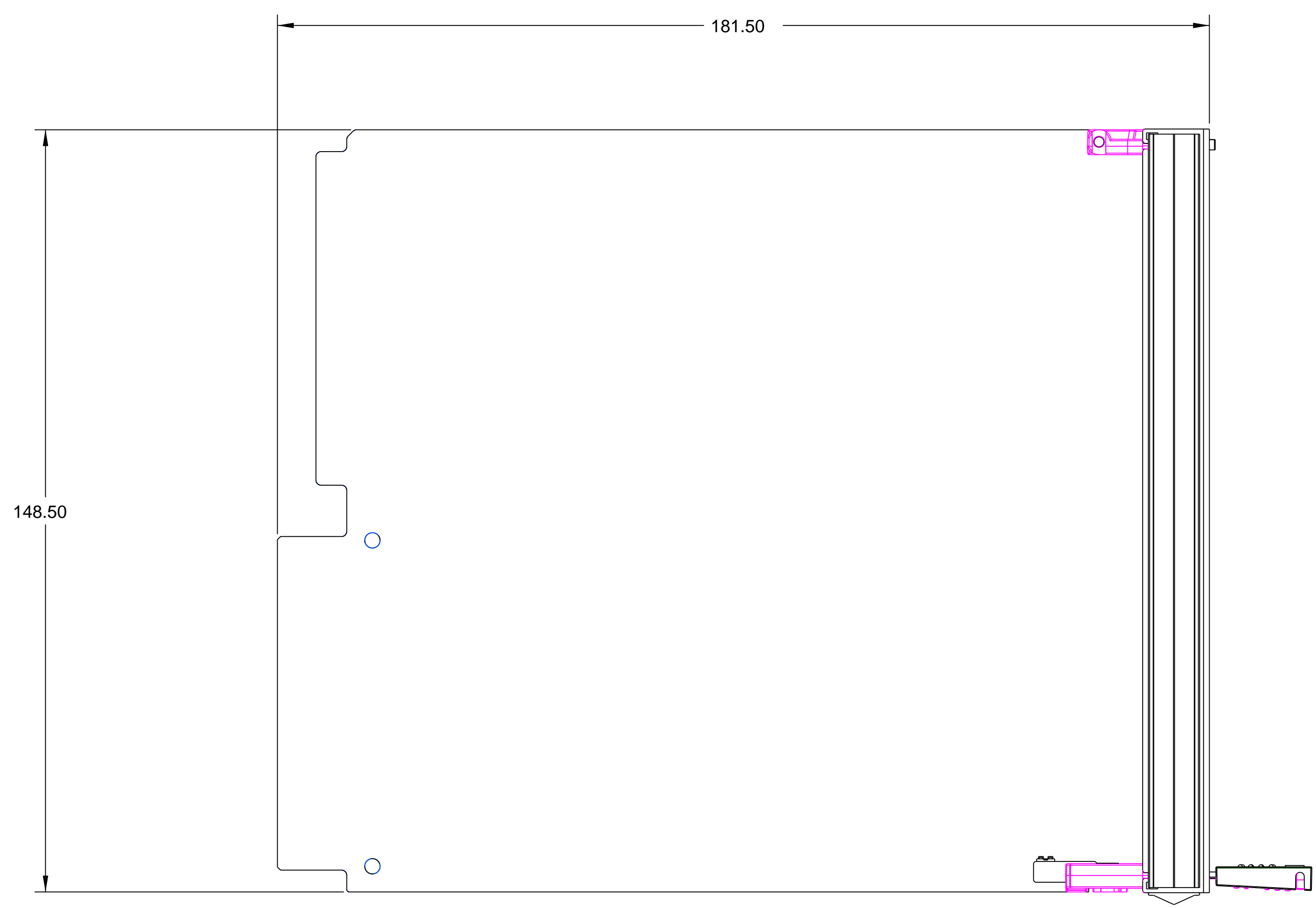
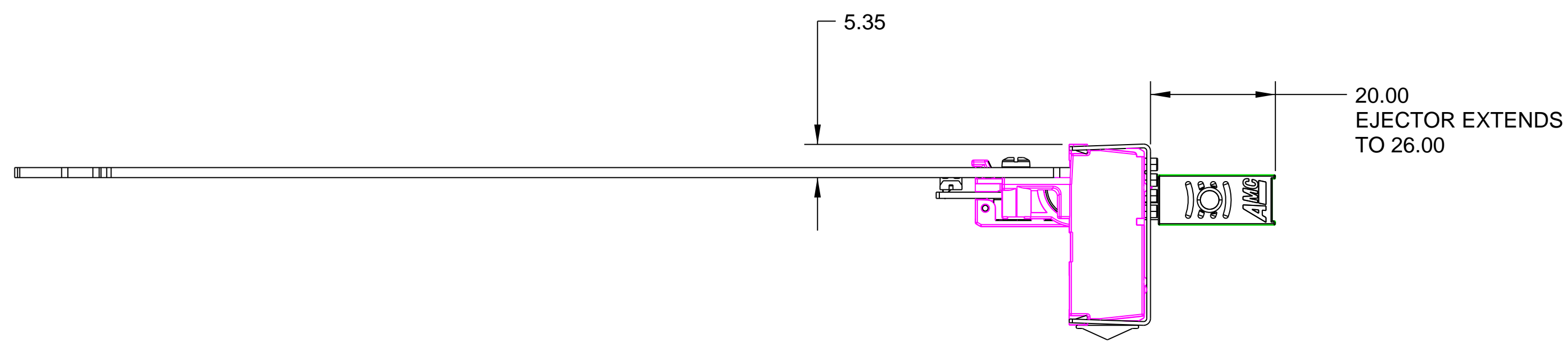


DWG NO	20849-005	REV	SH	1 OF 2	1
THIS DOCUMENT CONTAINS PROPRIETARY INFORMATION WHICH MAY NOT BE DISCLOSED TO OTHERS, REPRODUCED OR USED WITHOUT AUTHORITY FROM THE PROPRIETOR.					
REVISION HISTORY					
REV	DESCRIPTION	INC BY	DATE	APPROVED	
A	--/-- EDR		--/--		



P/N 20849-005 FURNISHED AS A KIT
PCB w/MICROSWITCH NOT INCLUDED

TOLERANCE (UNLESS OTHERWISE SPECIFIED)			
mm	HOLES	[INCH]	HOLES
DECIMALS	0.00 +.08 3.19 -.03 3.20 +.10 6.39 -.03	DECIMALS	0.000 +.003 .124 -.001 .125 +.004 .250 -.001
X ±0.5	6.40 +.13	X.XX ±0.02	.251 +.005
X.X ±0.2	12.69 -.05	X.XXX ±0.010	.500 -.002 .501 +.006 .750 -.002
X.XX ±0.10	12.70 +.15 19.09 -.05 19.10 +.20 25.39 -.08 25.40 +.25 OVER -.10	ANGULAR ±1/2 °	.751 +.008 1.000 -.003 1.001 +.010 OVER -.004

ALL DIMENSIONS
mm[INCH]

THIRD ANGLE PROJECTION

DESIGN AUTHORITY
WARWICK

COSMETIC APPEARANCE
MAX CLASS

A B

MIN CLASS

MATERIAL **4** FINISH **5**

APPROVALS	DATE
DESIGNED BY:	03/06/06
DRAWN BY:	03/06/06
CHECKED BY:	03/06/06
RESPONSIBLE ENG:	03/06/06
PROJECT/CUSTOMER:	
FILE NAME	20849-005

Schroff® ...a brand of **Pentair** Electronic Packaging

TITLE
**KIT AMC MODULE
FULL SIZE DOUBLE
4 ROUND LIGHTPIPES**

SIZE **D62559** CAGE CODE **20849-005** DWG NO. **20849-005** REV

SCALE 1.500 WEIGHT: N/A 1 OF 2

