

DWG NO: 30849-130 REV: 1 SH: 1 OF 1

THIS DOCUMENT CONTAINS PROPRIETARY INFORMATION WHICH MAY NOT BE DISCLOSED TO OTHERS, REPRODUCED OR USED WITHOUT AUTHORITY FROM THE PROPRIETOR.

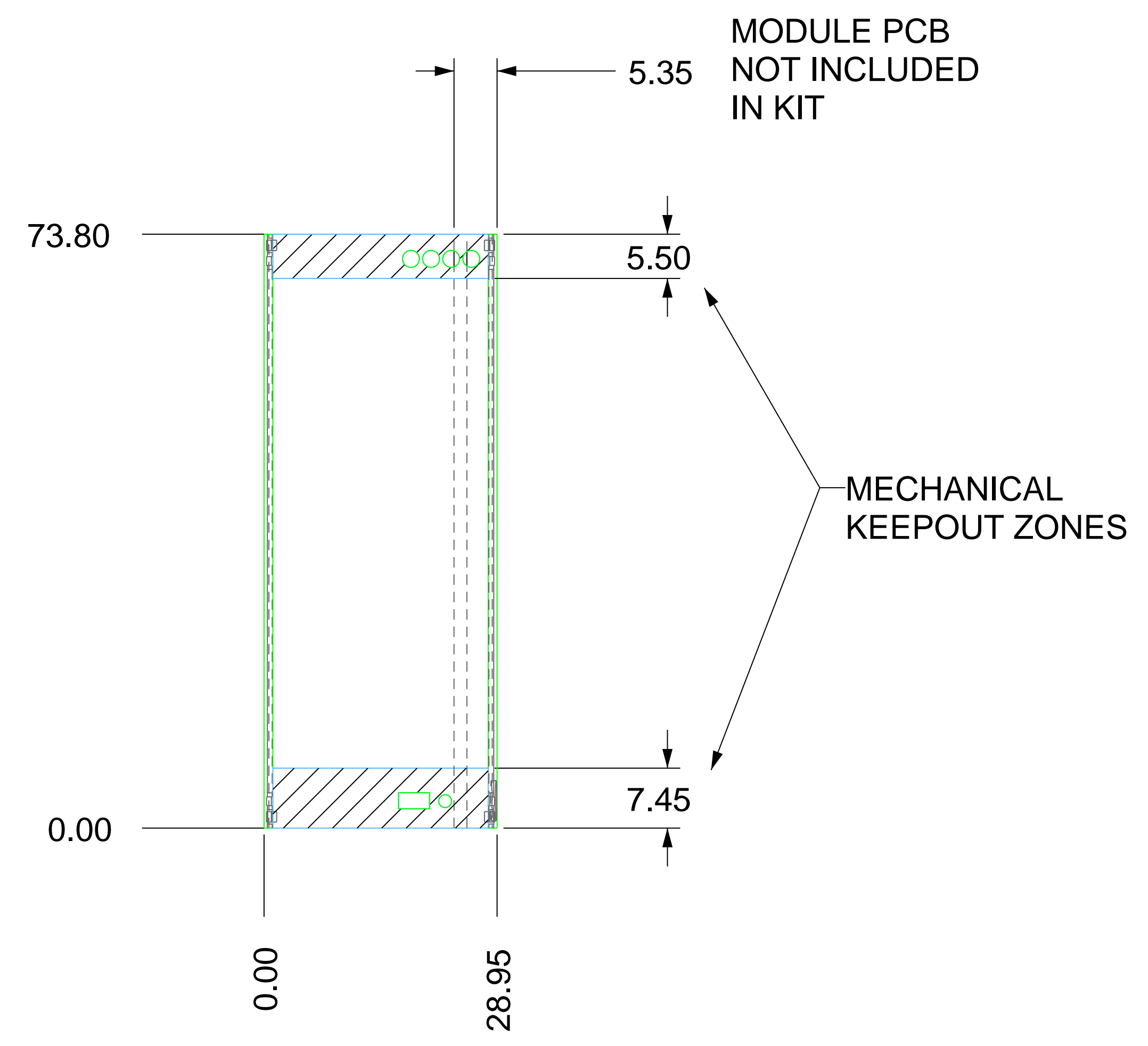
REVISION HISTORY				
REV	DESCRIPTION	INC BY	DATE	APPROVED
-	-	-	-	-

- NOTES: UNLESS OTHERWISE SPECIFIED.
1. APPLICABLE STANDARD / SPECIFICATIONS:
ALL PROCESSING / MATERIALS MUST COMPLY WITH 2002/95/EC RoHS.
ASME Y14.5-1994, DIMENSION AND TOLERANCES
ASME Y14.38, ANSI Y14.38M, ABBREVIATIONS
MIL-HDBK-454, GUIDELINE 9, WORKMANSHIP
PENTAIR SOP 0490.2.4A, SURFACE FINISH CLASS
ALL SURFACES: CLASS "B"
 2. ALL DIMENSIONS SHOWN ARE FOR FABRICATION, ASSY, AND VERIFICATION ONLY. GEOMETRY IS CONTROLLED AND MAINTAINED BY CAD FILE.
 3. REMOVE ALL BURRS AND SHARP EDGES.

- 4 MATERIAL:
.60 THICK STAINLESS STEEL
- 5 FINISH:
CHEMICAL PASSIVATION PER ASTM A967-01
6. BENDS - N/A

7. MASK - N/A

8. SILKSCREEN - N/A



TOLERANCE (UNLESS OTHERWISE SPECIFIED)				ALL DIMENSIONS		COSMETIC APPEARANCE		APPROVALS		DATE	
mm	HOLES	[INCH]	HOLES	mm[INCH]	MAX CLASS	A	B	DESIGNED BY:	-	-	-
DECIMALS	0.00 +.08 3.19 -.03 3.20 +.10 6.39 -.03 6.40 +.13 12.69 -.05 12.70 +.15 19.09 -.05 19.10 +.20 25.39 -.09 25.40 +.25 OVER -.10	DECIMALS	0.000 +.003 .124 -.001 .125 +.004 .250 -.001 .251 +.005 .500 -.002 .501 +.006 .750 -.002 .751 +.008 1.000 -.003 1.001 +.010 OVER -.004	THIRD ANGLE PROJECTION	MIN CLASS			DRAWN BY:	-	-	-
X ±0.5	6.39 -.03	X.XX ±0.02	.250 -.001	THIRD ANGLE PROJECTION			CHECKED BY:	-	-	-	-
XX ±0.2	6.40 +.13	XXX ±0.010	.251 +.005	THIRD ANGLE PROJECTION			RESPONSIBLE ENG:	-	-	-	-
XXX ±0.10	12.69 -.05		.500 -.002	THIRD ANGLE PROJECTION			PROJECT/CUSTOMER:	AMC	FILE NAME	30849-130WEB	DRW
ANGULAR	12.70 +.15	ANGULAR	.501 +.006	THIRD ANGLE PROJECTION			SCALE	2,000	WEIGHT:	N/A	1 OF 1
±1/2 °	19.09 -.05	±1/2 °	.750 -.002	THIRD ANGLE PROJECTION			TITLE	AMC FRONT PANEL FULL SIZE SINGLE			
	19.10 +.20		.751 +.008	THIRD ANGLE PROJECTION			DESIGNED BY:	-	-	-	-
	25.39 -.09		1.000 -.003	THIRD ANGLE PROJECTION			DRAWN BY:	-	-	-	-
	25.40 +.25		1.001 +.010	THIRD ANGLE PROJECTION			CHECKED BY:	-	-	-	-
OVER	OVER -.10		OVER -.004	THIRD ANGLE PROJECTION			RESPONSIBLE ENG:	-	-	-	-
				THIRD ANGLE PROJECTION			PROJECT/CUSTOMER:	AMC	FILE NAME	30849-130WEB	DRW
				THIRD ANGLE PROJECTION			SCALE	2,000	WEIGHT:	N/A	1 OF 1
				THIRD ANGLE PROJECTION			TITLE	AMC FRONT PANEL FULL SIZE SINGLE			
				THIRD ANGLE PROJECTION			DESIGNED BY:	-	-	-	-
				THIRD ANGLE PROJECTION			DRAWN BY:	-	-	-	-
				THIRD ANGLE PROJECTION			CHECKED BY:	-	-	-	-
				THIRD ANGLE PROJECTION			RESPONSIBLE ENG:	-	-	-	-
				THIRD ANGLE PROJECTION			PROJECT/CUSTOMER:	AMC	FILE NAME	30849-130WEB	DRW
				THIRD ANGLE PROJECTION			SCALE	2,000	WEIGHT:	N/A	1 OF 1
				THIRD ANGLE PROJECTION			TITLE	AMC FRONT PANEL FULL SIZE SINGLE			
				THIRD ANGLE PROJECTION			DESIGNED BY:	-	-	-	-
				THIRD ANGLE PROJECTION			DRAWN BY:	-	-	-	-
				THIRD ANGLE PROJECTION			CHECKED BY:	-	-	-	-
				THIRD ANGLE PROJECTION			RESPONSIBLE ENG:	-	-	-	-
				THIRD ANGLE PROJECTION			PROJECT/CUSTOMER:	AMC	FILE NAME	30849-130WEB	DRW
				THIRD ANGLE PROJECTION			SCALE	2,000	WEIGHT:	N/A	1 OF 1
				THIRD ANGLE PROJECTION			TITLE	AMC FRONT PANEL FULL SIZE SINGLE			
				THIRD ANGLE PROJECTION			DESIGNED BY:	-	-	-	-
				THIRD ANGLE PROJECTION			DRAWN BY:	-	-	-	-
				THIRD ANGLE PROJECTION			CHECKED BY:	-	-	-	-
				THIRD ANGLE PROJECTION			RESPONSIBLE ENG:	-	-	-	-
				THIRD ANGLE PROJECTION			PROJECT/CUSTOMER:	AMC	FILE NAME	30849-130WEB	DRW
				THIRD ANGLE PROJECTION			SCALE	2,000	WEIGHT:	N/A	1 OF 1
				THIRD ANGLE PROJECTION			TITLE	AMC FRONT PANEL FULL SIZE SINGLE			
				THIRD ANGLE PROJECTION			DESIGNED BY:	-	-	-	-
				THIRD ANGLE PROJECTION			DRAWN BY:	-	-	-	-
				THIRD ANGLE PROJECTION			CHECKED BY:	-	-	-	-
				THIRD ANGLE PROJECTION			RESPONSIBLE ENG:	-	-	-	-
				THIRD ANGLE PROJECTION			PROJECT/CUSTOMER:	AMC	FILE NAME	30849-130WEB	DRW
				THIRD ANGLE PROJECTION			SCALE	2,000	WEIGHT:	N/A	1 OF 1
				THIRD ANGLE PROJECTION			TITLE	AMC FRONT PANEL FULL SIZE SINGLE			
				THIRD ANGLE PROJECTION			DESIGNED BY:	-	-	-	-
				THIRD ANGLE PROJECTION			DRAWN BY:	-	-	-	-
				THIRD ANGLE PROJECTION			CHECKED BY:	-	-	-	-
				THIRD ANGLE PROJECTION			RESPONSIBLE ENG:	-	-	-	-
				THIRD ANGLE PROJECTION			PROJECT/CUSTOMER:	AMC	FILE NAME	30849-130WEB	DRW
				THIRD ANGLE PROJECTION			SCALE	2,000	WEIGHT:	N/A	1 OF 1
				THIRD ANGLE PROJECTION			TITLE	AMC FRONT PANEL FULL SIZE SINGLE			
				THIRD ANGLE PROJECTION			DESIGNED BY:	-	-	-	-
				THIRD ANGLE PROJECTION			DRAWN BY:	-	-	-	-
				THIRD ANGLE PROJECTION			CHECKED BY:	-	-	-	-
				THIRD ANGLE PROJECTION			RESPONSIBLE ENG:	-	-	-	-
				THIRD ANGLE PROJECTION			PROJECT/CUSTOMER:	AMC	FILE NAME	30849-130WEB	DRW
				THIRD ANGLE PROJECTION			SCALE	2,000	WEIGHT:	N/A	1 OF 1
				THIRD ANGLE PROJECTION			TITLE	AMC FRONT PANEL FULL SIZE SINGLE			
				THIRD ANGLE PROJECTION			DESIGNED BY:	-	-	-	-
				THIRD ANGLE PROJECTION			DRAWN BY:	-	-	-	-
				THIRD ANGLE PROJECTION			CHECKED BY:	-	-	-	-
				THIRD ANGLE PROJECTION			RESPONSIBLE ENG:	-	-	-	-
				THIRD ANGLE PROJECTION			PROJECT/CUSTOMER:	AMC	FILE NAME	30849-130WEB	DRW
				THIRD ANGLE PROJECTION			SCALE	2,000	WEIGHT:	N/A	1 OF 1
				THIRD ANGLE PROJECTION			TITLE	AMC FRONT PANEL FULL SIZE SINGLE			
				THIRD ANGLE PROJECTION			DESIGNED BY:	-	-	-	-
				THIRD ANGLE PROJECTION			DRAWN BY:	-	-	-	-
				THIRD ANGLE PROJECTION			CHECKED BY:	-	-	-	-
				THIRD ANGLE PROJECTION			RESPONSIBLE ENG:	-	-	-	-
				THIRD ANGLE PROJECTION			PROJECT/CUSTOMER:	AMC	FILE NAME	30849-130WEB	DRW
				THIRD ANGLE PROJECTION			SCALE	2,000	WEIGHT:	N/A	1 OF 1
				THIRD ANGLE PROJECTION			TITLE	AMC FRONT PANEL FULL SIZE SINGLE			
				THIRD ANGLE PROJECTION			DESIGNED BY:	-	-	-	-
				THIRD ANGLE PROJECTION			DRAWN BY:	-	-	-	-
				THIRD ANGLE PROJECTION			CHECKED BY:	-	-	-	-
				THIRD ANGLE PROJECTION			RESPONSIBLE ENG:	-	-	-	-
				THIRD ANGLE PROJECTION			PROJECT/CUSTOMER:	AMC	FILE NAME	30849-130WEB	DRW
				THIRD ANGLE PROJECTION			SCALE	2,000	WEIGHT:	N/A	1 OF 1
				THIRD ANGLE PROJECTION			TITLE	AMC FRONT PANEL FULL SIZE SINGLE			
				THIRD ANGLE PROJECTION			DESIGNED BY:	-	-	-	-
				THIRD ANGLE PROJECTION			DRAWN BY:	-	-	-	-
				THIRD ANGLE PROJECTION			CHECKED BY:	-	-	-	-
				THIRD ANGLE PROJECTION			RESPONSIBLE ENG:	-	-	-	-
				THIRD ANGLE PROJECTION			PROJECT/CUSTOMER:	AMC	FILE NAME	30849-130WEB	DRW
				THIRD ANGLE PROJECTION			SCALE	2,000	WEIGHT:	N/A	1 OF 1
				THIRD ANGLE PROJECTION			TITLE	AMC FRONT PANEL FULL SIZE SINGLE			
				THIRD ANGLE PROJECTION			DESIGNED BY:	-	-	-	-
				THIRD ANGLE PROJECTION			DRAWN BY:	-	-	-	-
				THIRD ANGLE PROJECTION			CHECKED BY:	-	-	-	-
				THIRD ANGLE PROJECTION			RESPONSIBLE ENG:	-	-	-	-
				THIRD ANGLE PROJECTION			PROJECT/CUSTOMER:	AMC	FILE NAME	30849-130WEB	DRW
				THIRD ANGLE PROJECTION			SCALE	2,000	WEIGHT:	N/A	1 OF 1
				THIRD ANGLE PROJECTION			TITLE	AMC FRONT PANEL FULL SIZE SINGLE			
				THIRD ANGLE PROJECTION			DESIGNED BY:	-	-	-	-
				THIRD ANGLE PROJECTION			DRAWN BY:	-	-	-	-
				THIRD ANGLE PROJECTION			CHECKED BY:	-	-	-	-
				THIRD ANGLE PROJECTION			RESPONSIBLE ENG:	-	-	-	-
				THIRD ANGLE PROJECTION			PROJECT/CUSTOMER:	AMC	FILE NAME	30849-130WEB	DRW
				THIRD ANGLE PROJECTION			SCALE	2,000	WEIGHT:	N/A	1 OF 1
				THIRD ANGLE PROJECTION			TITLE	AMC FRONT PANEL FULL SIZE SINGLE			
				THIRD ANGLE PROJECTION			DESIGNED BY:	-	-	-	-
				THIRD ANGLE PROJECTION			DRAWN BY:	-	-	-	-
				THIRD ANGLE PROJECTION			CHECKED BY:	-	-	-	-
				THIRD ANGLE PROJECTION			RESPONSIBLE ENG:	-	-	-	-
				THIRD ANGLE PROJECTION			PROJECT/CUSTOMER:	AMC	FILE NAME	30849-130WEB	DRW
				THIRD ANGLE PROJECTION			SCALE	2,000	WEIGHT:	N/A	1 OF 1
				THIRD ANGLE PROJECTION			TITLE	AMC FRONT PANEL FULL SIZE SINGLE			
				THIRD ANGLE PROJECTION			DESIGNED BY:	-	-	-	-
				THIRD ANGLE PROJECTION			DRAWN BY:	-	-	-	-
				THIRD ANGLE PROJECTION			CHECKED BY:	-	-	-	-
				THIRD ANGLE PROJECTION			RESPONSIBLE ENG:	-	-	-	-
				THIRD ANGLE PROJECTION			PROJECT/CUSTOMER:	AMC	FILE NAME	30849-130WEB	DRW
				THIRD ANGLE PROJECTION			SCALE	2,000	WEIGHT:	N/A	1 OF 1
				THIRD ANGLE PROJECTION			TITLE	AMC FRONT PANEL FULL SIZE SINGLE			
				THIRD ANGLE PROJECTION			DESIGNED BY:	-	-	-	-
				THIRD ANGLE PROJECTION			DRAWN BY:	-	-	-	-
				THIRD ANGLE PROJECTION			CHECKED BY:	-	-	-	-
				THIRD ANGLE PROJECTION			RESPONSIBLE ENG:	-	-	-	-
				THIRD ANGLE PROJECTION			PROJECT/CUSTOMER:	AMC	FILE NAME	30849-130WEB	DRW
				THIRD ANGLE PROJECTION			SCALE	2,000	WEIGHT:	N/A	1 OF 1
				THIRD ANGLE PROJECTION			TITLE	AMC FRONT PANEL FULL SIZE SINGLE			
				THIRD ANGLE PROJECTION			DESIGNED BY:	-	-	-	-
				THIRD ANGLE PROJECTION			DRAWN BY:	-	-	-	-
				THIRD ANGLE PROJECTION			CHECKED BY:	-	-	-	-
				THIRD ANGLE PROJECTION			RESPONSIBLE ENG:	-	-	-	-
				THIRD ANGLE PROJECTION			PROJECT/CUSTOMER:	AMC	FILE NAME	30849-130WEB	DRW
				THIRD ANGLE PROJECTION			SCALE	2,000	WEIGHT:	N/A	1 OF 1
				THIRD ANGLE PROJECTION			TITLE	AMC FRONT PANEL FULL SIZE SINGLE			
				THIRD ANGLE PROJECTION			DESIGNED BY:	-	-	-	-
				THIRD ANGLE PROJECTION			DRAWN BY:	-	-	-	-
				THIRD ANGLE PROJECTION			CHECKED BY:	-	-	-	-
				THIRD ANGLE PROJECTION							