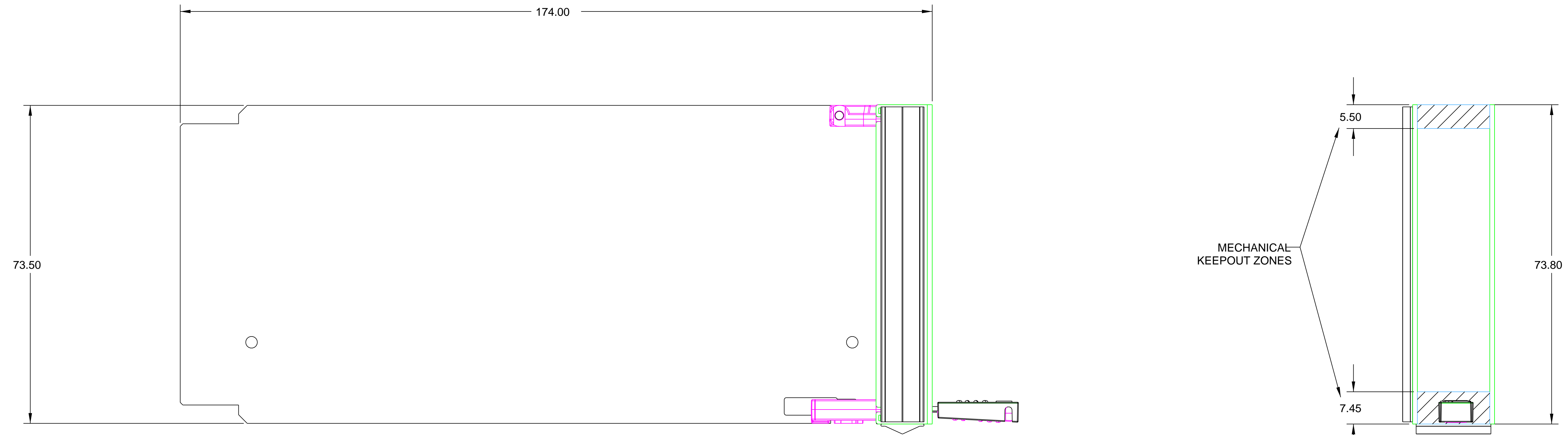
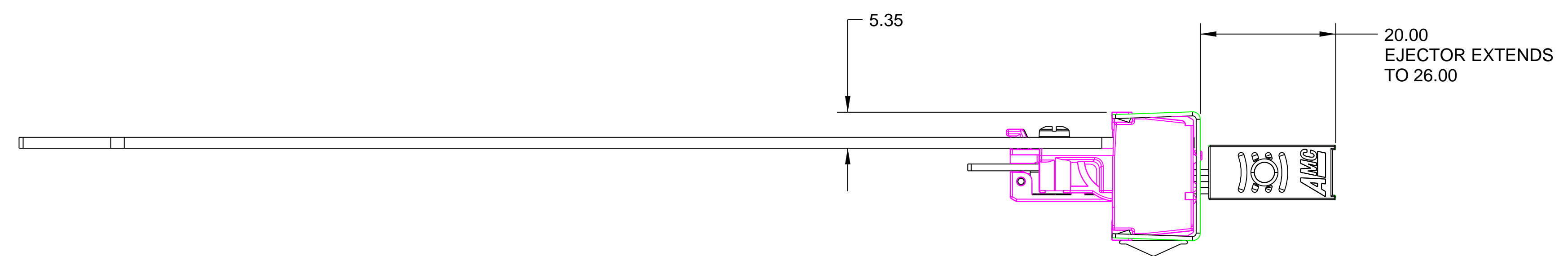


DWG NO	20849-106	REV	SH	1 OF 2
THIS DOCUMENT CONTAINS PROPRIETARY INFORMATION WHICH MAY NOT BE DISCLOSED TO OTHERS, REPRODUCED OR USED WITHOUT AUTHORITY FROM THE PROPRIETOR.				
REVISION HISTORY				
REV	DESCRIPTION	INC BY	DATE	APPROVED
A	--/-- EDR		--/--	



P/N 20849-106 FURNISHED AS A KIT
FILLER PCB INCLUDED

TOLERANCE (UNLESS OTHERWISE SPECIFIED)			
mm	HOLES	[INCH]	HOLES
DECIMALS	0.00 +.08	DECIMALS	0.000 +.003
X	3.19 -.03	X.XX	.125 +.004
X.X	3.20 +.10	X.XXX	.250 -.001
X.XX	6.39 -.03		.251 +.005
ANGULAR	6.40 +.13		.500 -.002
±0.5	12.89 -.05		.501 +.006
±0.2	12.70 +.15		.750 -.002
±0.10	19.09 -.05		.751 +.008
	19.10 +.20		1.000 -.003
	25.39 -.08		1.001 +.010
	25.40 +.25		OVER -.004
	OVER -.10		

ALL DIMENSIONS	COSMETIC APPEARANCE
mm[INCH]	MAX CLASS
THIRD ANGLE PROJECTION	A B
DESIGN AUTHORITY	MIN CLASS
WARWICK	MATERIAL FINISH
	4 5

APPROVALS	DATE
DESIGNED BY:	03/06/06
DRAWN BY:	03/06/06
CHECKED BY:	03/06/06
RESPONSIBLE ENG:	03/06/06
PROJECT/CUSTOMER:	
FILE NAME	20849-106

TITLE			
KIT AMC MODULE MID SIZE SINGLE FILLER PANEL			
SIZE	CAGE CODE	DWG NO.	REV
D62559	20849-106		
SCALE	2.000	WEIGHT:	N/A
			1 OF 2

DO NOT SCALE DRAWING

