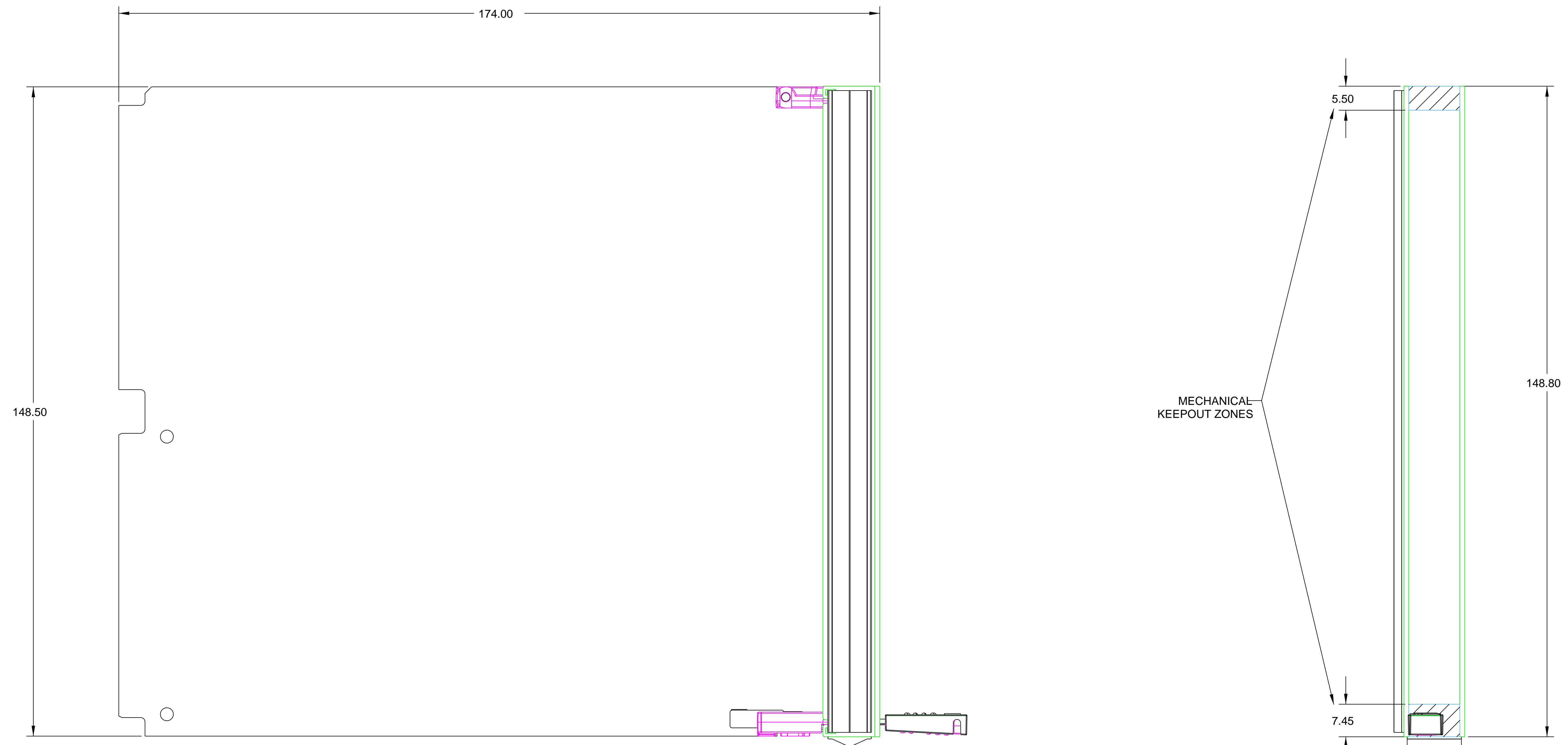
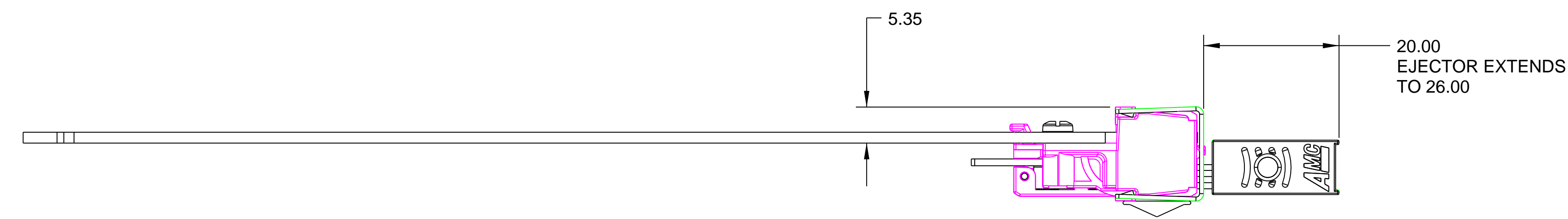


DWG NO	20849-023	REV	SH	1 OF 2
THIS DOCUMENT CONTAINS PROPRIETARY INFORMATION WHICH MAY NOT BE DISCLOSED TO OTHERS, REPRODUCED OR USED WITHOUT AUTHORITY FROM THE PROPRIETOR.				
REVISION HISTORY				
REV	DESCRIPTION	INC BY	DATE	APPROVED
A	--/-- EDR		--/--	



P/N 20849-023 FURNISHED AS A KIT
FILLER PCB INCLUDED

TOLERANCE (UNLESS OTHERWISE SPECIFIED)			
mm	HOLES	[INCH]	HOLES
DECIMALS	0.00 +.08 3.19 -.03 3.20 +.10 6.39 -.03	DECIMALS	0.000 +.003 .124 -.001 .125 +.004 .250 -.001
X ±0.5	6.40 +.13	X.XX ±0.02	251 +.005
X.X ±0.2	12.69 -.05	X.XXX ±0.010	500 -.002
X.XX ±0.10	12.70 +.15		750 -.002
ANGULAR	19.09 -.05	ANGULAR	.501 +.006 .751 +.008
±1/2 °	19.10 +.20	±1/2 °	1.000 -.003
	25.39 -.08		1.001 +.010
	25.40 +.25		OVER -.004
	OVER -.10		

ALL DIMENSIONS	COSMETIC APPEARANCE
mm[INCH]	MAX CLASS
THIRD ANGLE PROJECTION	A B
	MIN CLASS
DESIGN AUTHORITY	MATERIAL FINISH
WARWICK	4 5

APPROVALS	DATE
DESIGNED BY:	03/06/06
DRAWN BY:	03/06/06
CHECKED BY:	03/06/06
RESPONSIBLE ENG:	03/06/06
PROJECT/CUSTOMER:	
FILE NAME	20849-023

Schroff ...a brand of		Pentair Electronic Packaging	
TITLE			
KIT AMC MODULE COMPACT DOUBLE FILLER PANEL			
SIZE	CAGE CODE	DWG NO.	REV
D62559	20849-023		
SCALE	2.000	WEIGHT:	N/A
			1 OF 2

DO NOT SCALE DRAWING

CUSTOMER PART NO.	REV

