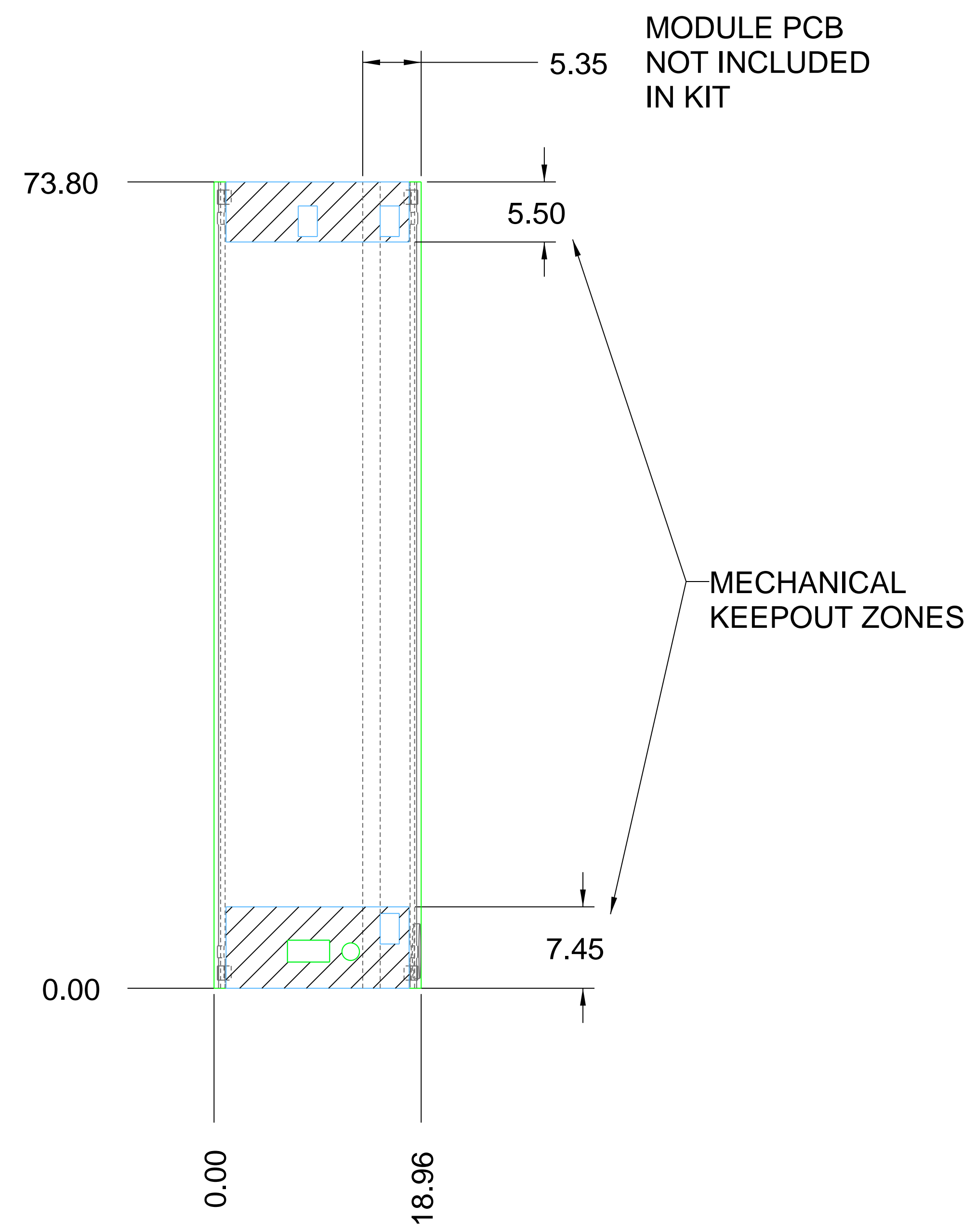


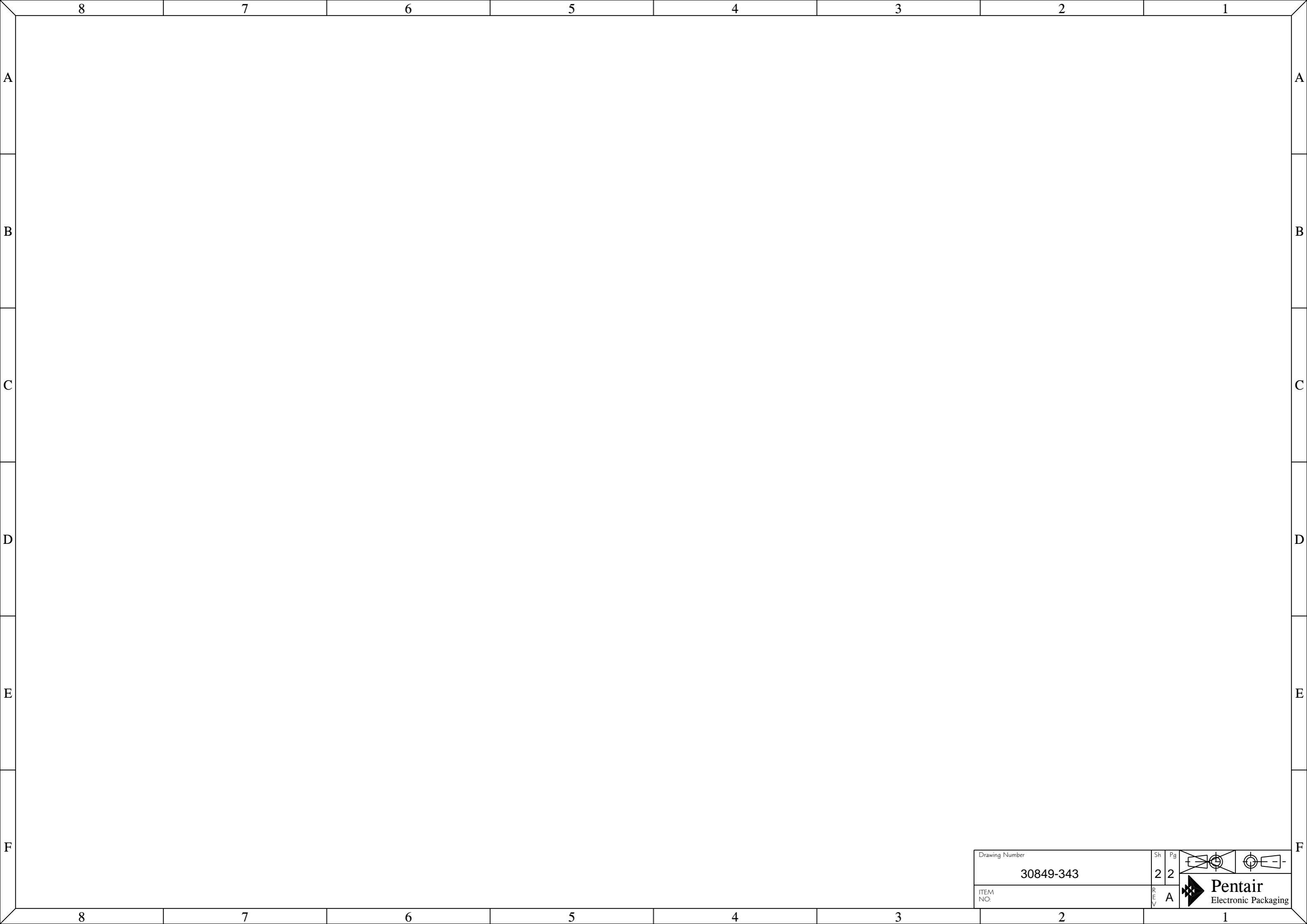
NOTES: UNLESS OTHERWISE SPECIFIED.

1. APPLICABLE STANDARD / SPECIFICATIONS:  
 ALL PROCESSING / MATERIALS MUST COMPLY WITH 2002/95/EC RoHS.  
 ASME Y14.5-1994, DIMENSION AND TOLERANCES  
 ASME Y14.38, ANSI Y14.38M, ABBREVIATIONS  
 MIL-HDBK-454, GUIDELINE 9, WORKMANSHIP  
 PENTAIR SOP 0490.2.4A, SURFACE FINISH CLASS  
 ALL SURFACES CLASS "B"
2. ALL DIMENSIONS SHOWN ARE FOR FABRICATION, ASSY, AND VERIFICATION ONLY. GEOMETRY IS CONTROLLED AND MAINTAINED BY CAD FILE.
3. REMOVE ALL BURRS AND SHARP EDGES.
- 4 MATERIAL:  
 0.60 mm STAINLESS STEEL
- 5 FINISH:  
 PASSIVATE PER ASTM A967-01
6. BENDS - N/A
7. MASK - N/A
8. SILKSCREEN - N/A

REVISION HISTORY				
REV	DESCRIPTION	INC BY	DATE	APPROVED
A	-	--	--	-



DEFAULT TOLERANCES (UNLESS OTHERWISE SPECIFIED) DIMENSION SIZE = Xmm				ALL DIMENSIONS mm[INCH]				COSMETIC APPEARANCE MAX CLASS		APPROVALS DESIGNED BY:		DATE		Schreff® ...a brand of		Pentair Electronic Packaging	
0	0.0	0.00	0.000	0.0	< X ≤ 10	±1	±0.4	±0.20	±0.100	THIRD ANGLE PROJECTION 	MIN CLASS A B	DRAWN BY:		TITLE			
10	< X ≤ 100	±2	±0.5	±0.40	±0.200	CHECKED BY:		RESPONSIBLE ENG:				AMC FRONT PANEL MID SIZE SINGLE					
100	< X ≤ 600	±4	±0.7	±0.50	±0.300	PROJECT/CUSTOMER:		SIZE CAGE CODE DWG NO.				REV					
600	< X	±5	±1.0	±0.70	±0.400	DESIGN AUTHORITY WARWICK		MATERIAL FINISH				FILE NAME		SCALE 1,000 WEIGHT: N/A 1 OF 2			
CUSTOMER PART NO.		REV		PROJECT/CUSTOMER:		FILE NAME		SCALE 1,000 WEIGHT: N/A		DWG NO. 30849-403		REV A		1 OF 2			



Drawing Number		Sh	Pg	
30849-343		2	2	
ITEM NO.		REV	A	<b>Pentair</b> Electronic Packaging