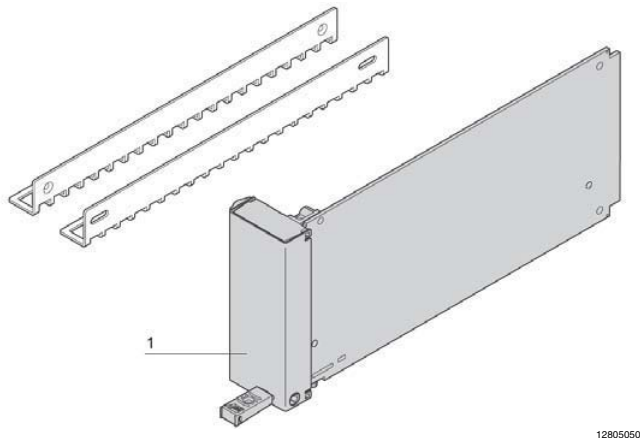


AdvancedMC filler modules (filler panel)



- For Conventional, Cutaway-Carrier and Hybrid Carrier
- Insertion/extraction mechanics in accordance with AdvancedMC standard
- Same design as AdvancedMC modules

Delivery comprises (assembled)

Item	Qty	Description
1	1	AdvancedMC filler module, consisting of
	1	U-form front panel, stainless steel, 0.6 mm
	1	Printed board bracket, Zn die-cast, nickel-plated
	1	Printed circuit board
	1	Insertion/extraction mechanics and printed board bracket
	1	Handle, plastic, PC, UL 94 V-0, black
	1	Lateral EMC profile gasketing, core: foam, sleeve: textile cladding with CuNi coating
	1	Bottom EMC profile gasketing, core: foam, sleeve: textile cladding with CuNi coating

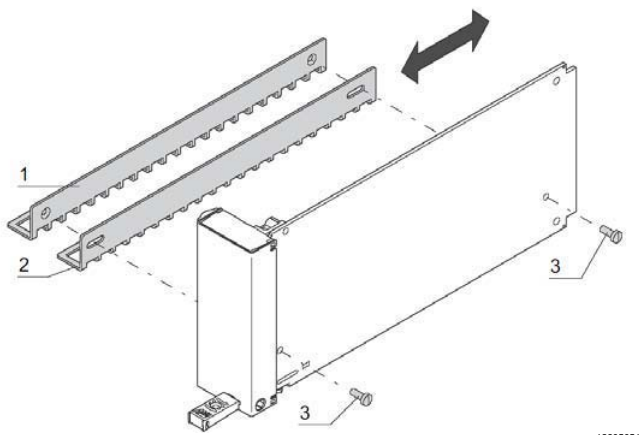
Order Information

Description	Order no.
AdvancedMC filler module Single Compact	20849-022
AdvancedMC filler module Single Mid-size	20849-106
AdvancedMC filler module Single Full-size	20849-024
AdvancedMC filler module Double Compact	20849-023
AdvancedMC filler module Double Mid-size	20849-107
AdvancedMC filler module Double Full-size	20849-025

Note

- Front panel dimensions, see page 32
- Please order air baffle separately, see page 34

Air baffle for filler module



- Air through-put adjustable between 60 and 80 %
- Can be retrofitted

Delivery comprises

Item	Qty	Description
1	1	Metal sheet with perforation, Al
2	1	Sliding metal sheet with perforation, Al
3	1	Assembly kit

Order Information

Description	Qty/PU	Order no.
Air baffle for AdvancedMC filler module Compact	10	20849-016
Air baffle for AdvancedMC filler module Mid-size and Full-size	10	20849-017
Air baffle for AdvancedMC filler module Full-size, Cutaway printed boards	10	20849-018